

FAVI pico+™ J6-LED-PICO



User Manual

FAVI ENTERTAINMENT®
technology + design

Product specification and user manual is subject to change without prior notice due to engineering improvement. Color and appearance of product and icons in user manual may vary from that of actual product.

PRODUCT REGISTRATION

Thank you for purchasing FAVI Pico+ J6-LED-PICO.

To better serve you in the future, please take a moment to register your product at:
www.favientertainment.com/register

Product Registration allows us to send you important updates, service information and helpful hints. It will also make it easier should you ever need to call in for Technical Support. FAVI values your privacy and will never share your information with other companies.

WHAT'S IN THE BOX

Please check that all items listed are included with your product. If there are parts missing, please contact FAVI Entertainment as soon as possible.

1x FAVI Pico+ (J6-LED-PICO)

1x User Manual

1x Quick Start Guide

1x Charging Cable

1x Carrying Bag

1x Tripod

1x Wall Charger

WARRANTIES

Your FAVI Pico+ projector is warrantied to be free of defects in material and workmanship for a period of 1 year from the date of receipt. Should your projector develop an issue requiring it to be repaired within this time frame, we will repair or exchange any defective unit at no cost to you.

FAVI Entertainment will pay round trip shipping for warranty claims within the USA. Excludes: HI, AK, APO, USA Territories, and international orders.

After 1 year have pass, your projector will then be covered under our parts warranty, which is valid up to one year from the date of receipt. We will bill you a flat rate for repair and shipping costs before accepting the unit back for repair. You will not be billed for the cost of replacement parts. The above warranties will be considered null and void in the event of damage caused by misuse, neglect, improper handling, or improper installation.

FAQ's, and other support information can be found at:

<http://www.favientertainment.com/help.asp>

For technical support, you may contact us at:

techsupport@favientertainment.com

IMPORTANT SAFETY NOTES

Before you use this projector, please read this manual carefully.

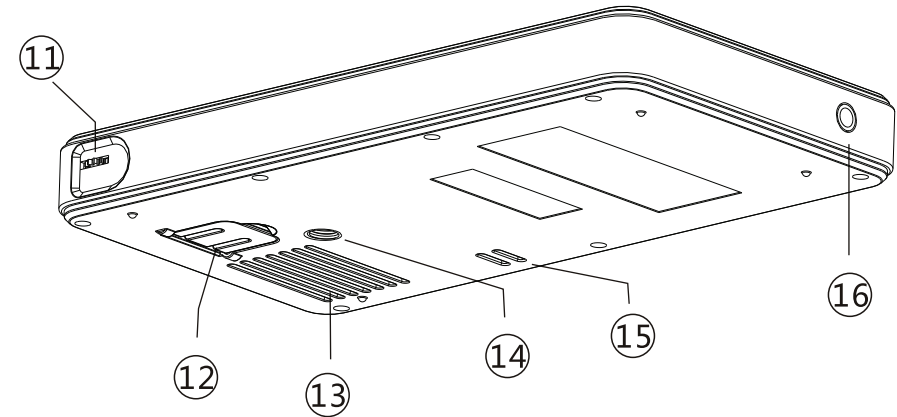
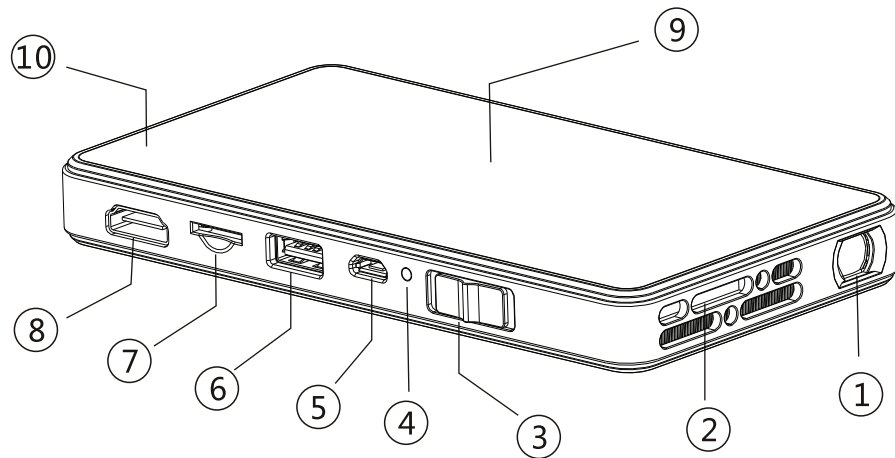
SAFETY

- Do not stare directly into the light of projector's lens.
- Do not expose projector to water or other sources of moisture to avoid electrical shock.
- Do not use projector in areas where flammable gases or fumes are present.
- Do not expose projector to extreme temperatures.

MAINTENANCE

- Use only the supplied power cable to power projector. Using other adapter may damage the projector.
- When cleaning projector, remove power cable and use a wet cloth.
- When not using projector, cover lens with lens cover to keep dirt and dust from getting on the lens.
- Place projector on stable tables.
- Do not attempt to disassemble projector. Doing so will void your warranty.

FEATURES



1. Lens
2. Air Outlet
3. Power switch
4. Charging Indicator Light
5. DC

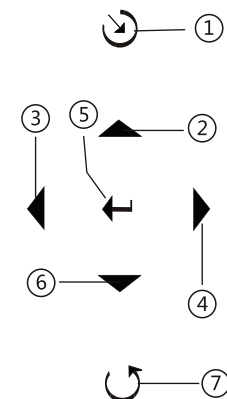
6. USB charging port
7. Micro SD Card slot
8. HDMI/MHL input
- *9. Touch Keys (see below)
10. Battery Indicator

11. Focus
12. Table Stand
13. Air Ventilation
14. Tripod Hole
15. Speaker
16. Headphone

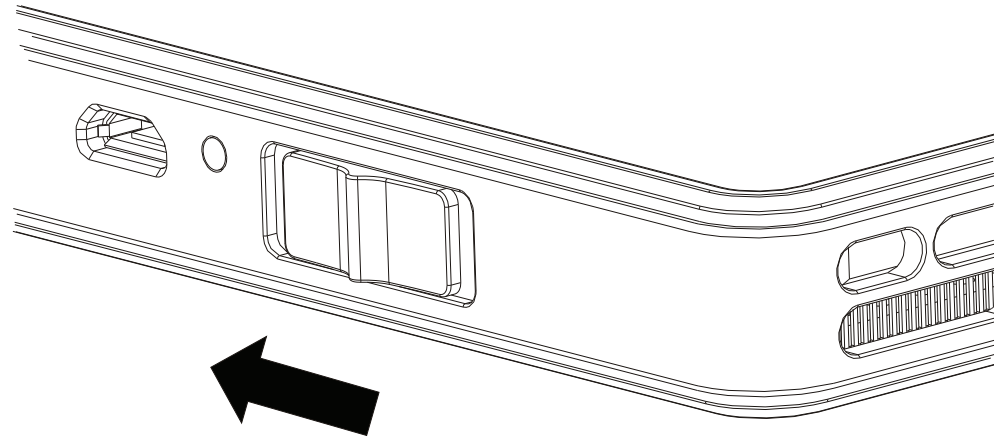
TOUCH KEYS

1. Source
2. Up / Increase Volume
3. Left / Previous / Rewind
4. Right / Next / Fast Forward

5. OK / Menu
6. Down / Decrease Volume
7. Return



GETTING STARTED



Turn ON/OFF

Push and hold the power switch back for 3 seconds to turn the projector ON/OFF.

Note: Under Wi-Fi Display Mode, to switch between Miracast and DLNA push the power switch back once.

Bright Mode

Push the switch back quickly to switch between standard and bright mode.

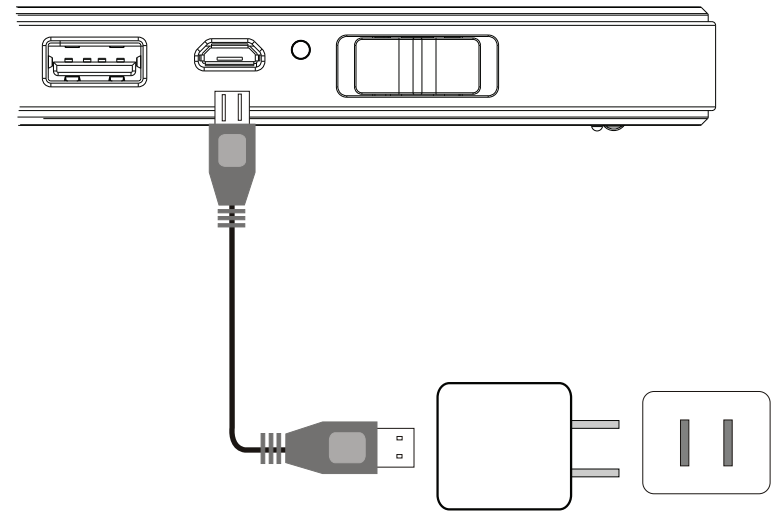
Note: Under Wi-Fi Display Mode, the brightness cannot be adjusted.

CHARGING

Charging Projector

Fully charge your projector before first use. It takes up to 5 hours or until the Charging Indicator Light goes off to fully charge the projector. To charge the FAVI Pico+, connect the charging cable to the projector and power source as shown below.

Note: Turn off projector before charging projector.



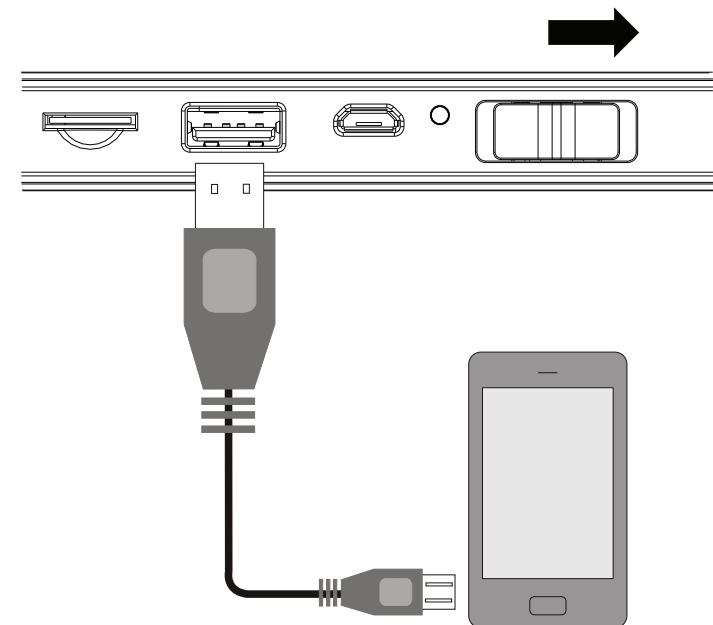
Charging Mobile Devices

Projector can charge mobile devices when connected to projector. To charge your mobile device when connected to the projector, push the Power Switch forward.

Battery Indicator

Green = Normal

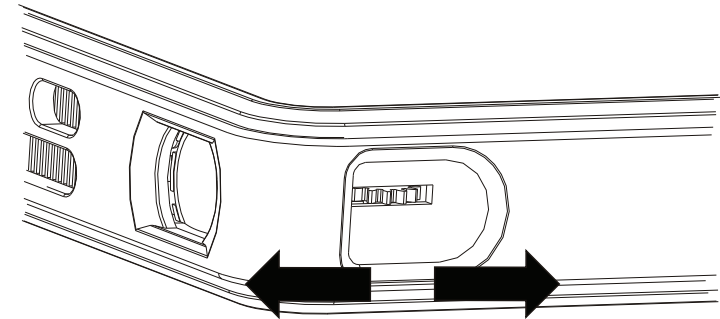
Red = Low



FOCUS AND SOURCES ADJUSTMENT

Focus Adjustment

Turn the focus wheel to adjust clarity of image.



Connecting Media Sources

HDMI: Use the HDMI cable to connect HDMI output device to projector. Projector will automatically select the source after a few seconds.

Note: If the projector does not connect, select "Source" on the projector and then the "HDMI Display" icon. HDMI is MHL enable.

Micro SD Card: Supports up to 32 GB

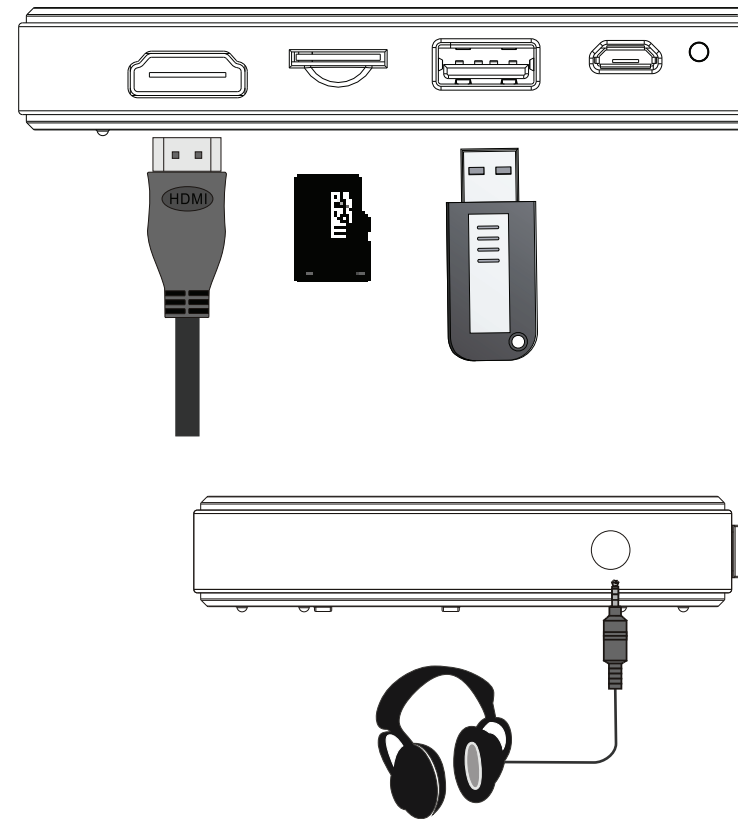
Note: To play media, select "Source" on the projector and then "Micro SD Card" icon.

USB: Supports USB

Note: To play media, select "Source" on the projector and then "USB" icon.

Micro USB Port: Projector charging port


Headphone: Support 3.5mm audio output



CONNECTING MOBILE DEVICES



Connect with Miracast for Android

You will need a mobile device that supports Miracast. **Note:** Most Android devices with Android 4.2.2 or higher have Miracast. For a list of products that support Miracast, go to: <http://bit.ly/1b7Bal2>. Due to limitation associated with current Miracast technology, some videos may experience delay in audio sync. Some videos may improve after a few minutes of streaming.

1. Turn on the Pico+ and select the Wi-Fi Display icon (). If projector setting is not in Miracast mode, push the power switch back once.
2. Turn on your Miracast supported mobile device and go to Settings > Display > Wireless Display.
3. Turn your mobile device's Wireless Display "ON" and scan for devices.
4. When you see LOLLIPOP, select it to pair with your mobile device.

Connect with DLNA for iOS

You will need a mobile device that supports DLNA. **Note:** Ensure that you have installed a DLNA media sharing app on your mobile devices, such as "Flippis." DLNA will only play media located within the media sharing app.

1. Turn on the Pico+ and select the Wi-Fi Display icon (). Make sure the Pico+ is in DLNA mode.
2. Turn on your DLNA supported mobile device and go to Settings > Wi-Fi.
3. In Wi-Fi, scan and connect to LOLLIPOP and enter password: 12345678.
4. Open your device's web browser and enter the following URL: <http://192.168.49.1/index.html>
5. After the page loads, click the Wi-Fi icon then click "Scan." Select your preferred wireless network and enter its password.
6. Open your DLNA sharing app and play your media. Select the Share icon () and LOLLIPOP as your display output source.

TECHNICAL SPECIFICATION

Product Name	FAVI Pico+ (J6-LED-PICO)
Native Resolution	854 X 480
Display Technology	DLP
Lamp	RGB LED
Projection Size	3.7" at 1m
HDMI	Standard HDMI Input
Wi-Fi	Wi-Fi Display DLNA / Miracast
Media Player	Built-in 1080P media player
Support Storage Devices File System	Micro SD Card / USB / NTFS, FAT16, FAT32
Headphone Output	3.5mm stereo headphone
Speaker	1W
Power Supply	5V 2A
Power Output	5V 500mA
Battery	4000mAh Li-ion Battery
Projection Mode	Max 2 hours
Charging Mode	150%
Power Consumption	Projection 6W / Charging 3W
Working Temperature	32oF - 95oF
Working Humidity	0-85%
Dimension (LxWxH)	5.71 x 3.07 x 0.63 in
Weight	0.42 lbs.