



business projector series

evo20sx+

sxga+ resolution

2800 ANSI lumens

BrilliantColor™ technology

2.9 kg / 6 lbs.

Derived from one of our bestseller products, and updated in every possible way, the new evo20sx+ gives image quality and reliability that can be seen from anywhere in the room.

projectiondesign evo20sx+

The projectiondesign evo20sx+ has been designed for business users and corporations. With SXGA+ resolution DLP® technology and unmatched compatibility, it works with virtually anything you connect it to. No more nervous presenters or support calls when you can't get an image projected.

SXGA+ resolution

projectiondesign is a pioneer in high resolution DLP technology, and has for several years been the exclusive provider of single chip, high resolution DLP projectors for professionals. The evo20sx+ brings this high performance to the business user. With almost double the workspace of regular XGA, SXGA+ provides very wide compatibility, from high resolution notebook and laptop computers to graphics workstations.

RealColor colour management suite

Our proprietary RealColor colour management suite ensures perfect colour reproduction and allows the user to define a desired white point, or match the colours from the projector to the picture on the screen or a print for true colour imaging. Product presentations and corporate profiles look as good as they do in real life and on printed paper!

Professional quality video

With built in high performance video processing, the evo20sx+ provides professional quality video in all settings, both with analogue and digital sources.



Great image quality

The most important thing about your presentation is how you communicate your message, and how it is perceived by the audience. With the projectiondesign evo20sx+ you are at least certain your presentation looks good, no matter if you show standard Powerpoint® slides, or if you engage a full multimedia experience. Supported by its superior image quality, all you need to do is a convincing presentation!

Low operating noise

In many challenging environments, the noise of a projection system can be disturbing. Not so with the evo20sx+. It is built entirely from magnesium and exotic materials like ceramics to give low noise. The chassis is used for heat dissipation, and all moving parts are decoupled from the chassis in order to make the least noise. That creates not only the sturdiest, but also the most silently running business projector in its class!

Simple and secure asset management

Built in networking allows remote asset management through a simple web interface, or through our dedicated ProNet.Manager asset management software. It also allows easy integration into IP based control systems. Familiar, 4-digit pin code password protection prevents unauthorised use.

High performance optics

The precision ground zoom lens features lens shift for distortion free imaging, excellent sharpness and focus from one of the world's leading lens makers. Front access lamp replacement reduces maintenance needs and operating costs in any installation.

Perfectly fit for a wide range of applications

Not only is the evo20sx+ perfectly fit for business presentations, it is also perfect for detailed presentations, such as financial models, product visualisation, database management, engineering and R&D, as well as any graphically intensive work. Even the graphics designers will love it!

Technical specifications

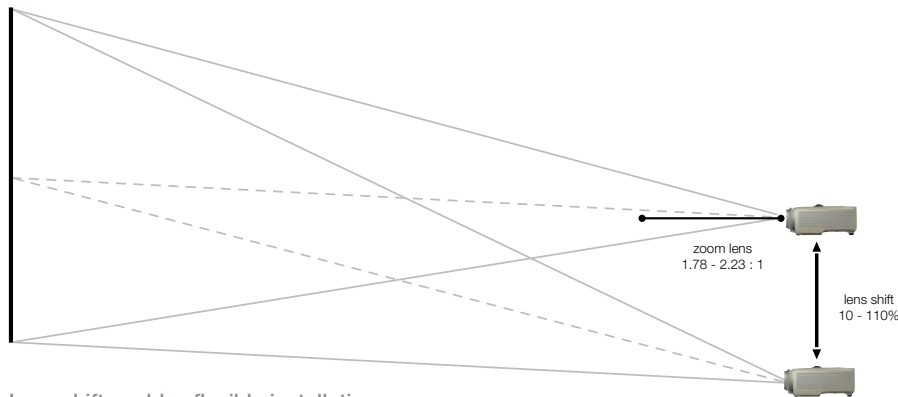
projector		evo20sx+
display	technology	sxga+ digital projector
	resolution	single chip DLP® technology with BrilliantColor™
	brightness	1400 x 1050 pixels (sxga+)
	contrast ratio	up to 2800 ANSI lumens
compatibility	computer	up to 2500 : 1 (on/off)
	video	virtually all computers up to 1920 x 1200 resolution
		HDTV (1080i, 720p, 576i/p, 480i/p)
		NTSC 3.56/4.43, PAL BGHI, M, N, SECAM
optics and lamp	standard zoom lens	1.78 - 2.23 : 1 throw ratio (distance : width)
	image size (diagonal)	0.7 - 8 m (2 - 25 ft)
	focusing distance	1.5 - 10 m (5 - 33 ft)
	optical lens shift	10 - 110%
	lamp	220W UHP™
	lamp life	3000 hours (eco mode), 2250 hours (full power mode)
connectivity	computer	HDMI, DVI-I and VGA
	video	HDMI, DVI-D (both HDCP), YPbPr (component), S-video, and composite video
	control and communication	LAN (TCP/IP), RS232, USB, wired and Infrared Remote Control, 2x 12VDC trigger
general	dimensions (dwh)	234 x 278 x 94 mm (9.2 x 10.9 x 3.7 in)
	weight	about 2.9 kg / 6 lbs
	timer	built-in real time clock with ten program options
	security	4-digit PIN code protection, Kensington lock system
	supplied accessories	Remote control, cable kit, soft carrying case
	power requirements	90 - 240 VAC, 50/60 Hz, +/- 10%, 350W
	conformances	CE, CSA "C/US", FCC Class B, CCC
	available colour	vanquish grey metallic, black metallic
	warranties	3 years parts and labour, 500 hours or 90 days on lamp, conditions apply

Screen sizes

viewing size w x h		screen size (diagonal)		distance to screen (in / cm)	
in	cm	in	cm	min	max
48 x 36	122 x 91	60	152	85 / 217	107 / 272
58 x 43	146 x 110	72	183	103 / 260	129 / 326
67 x 50	171 x 128	84	213	119 / 304	149 / 381
74 x 55	187 x 140	92	234	132 / 333	165 / 417
80 x 60	203 x 152	100	254	142 / 361	178 / 453
96 x 72	244 x 183	120	305	171 / 434	214 / 544

+/- 5% accuracy

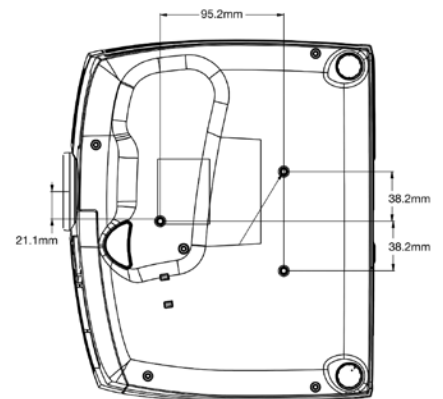
Optical lens shift



Lens shift enables flexible installations

The evo20sx+ features a 10 - 110% vertical lens shift. That means more flexibility with installations and no keystone correction needed for a perfectly rectangular image.

Standardised bolt-on ceiling mount interface



Distributed by: