

Brace yourself
for the.
applause.

Brookstone

HDMI Pocket Projector
YOU ALWAYS PUT ON SUCH A SHOW



TABLE OF CONTENTS

Warnings and Cautions.....	2
FCC information.....	6
Location of Parts and Controls.....	7
Compatibility.....	10
Charging the Projector.....	11
Set Up.....	11
Powering Up and Viewing Media.....	12
Adjusting Volume.....	13
Adjusting Focus.....	13
Charging Your Device with the Projector.....	14
Troubleshooting.....	15
Specifications.....	16
Warranty.....	17

CAUTION

- TO REDUCE THE RISK OF ELECTRIC SHOCK, DO NOT REMOVE COVER. THERE ARE NO SERVICEABLE PARTS INSIDE.
- TO REDUCE THE RISK OF FIRE OR ELECTRIC SHOCK, DO NOT EXPOSE THIS UNIT TO RAIN OR MOISTURE.



The lightning flash with arrow-head symbol within an equilateral triangle is intended to alert the user to the presence of uninsulated “dangerous voltage” within the unit's enclosure that may be of sufficient magnitude to constitute a risk of electric shock.



The exclamation point within an equilateral triangle is intended to alert the user to the presence of important operating and maintenance (servicing) instructions in the literature accompanying the unit.

IMPORTANT SAFETY INSTRUCTIONS

All of the safety and operating instructions should be read, adhered to and followed before the unit is operated.

SAVE THESE INSTRUCTIONS!

DANGER

To reduce the risk of electric shock, burns, fire or injury:

1. Do not use while bathing or in a shower.
2. Do not place or store unit where it can fall or be pulled into a tub or sink.
3. Do not place in, drop or submerge in water or other liquid.
4. Do not reach for unit that has fallen into water. Unplug it immediately.
5. Care should be taken so that objects do not fall and liquids are not spilled onto the unit.

WARNING

1. Close supervision is necessary when this appliance/product is used by or near children or mentally disabled individuals.
2. Use this unit only for its intended use as described in this manual.
3. Unplug this unit during lightning storms or when unused for long periods of time.
4. Never drop or insert an object into any opening.
5. Protect the adapter cord from being walked on or pinched, particularly at plug outlets, convenience receptacles and the point where it exits the unit.
6. Do not allow adapter cord to touch hot surfaces. Wrap cord loosely around the unit when storing.

7. The unit should be situated away from direct sunlight or heat sources such as radiators, electric heaters, heat registers, stoves, or other units (including amplifiers) that produce heat. Avoid placing on top of stereo equipment that radiates heat.
8. Never block the air openings of the unit with materials such as clothing, plastic bags or papers, or place it on a soft surface such as a bed or couch, where the air openings may be blocked.
9. Do not overload electrical outlet. Use only the power source as indicated.
10. Do not carry this unit by cord or use cord as handle.
11. Never operate this unit if it has a damaged cord or plug, if it is not working properly, or if it has been dropped or damaged, or dropped into water. If the unit's power supply cord or plug is damaged, do not attempt to fix it yourself.
12. To avoid the risk of electric shock, do not disassemble or attempt to repair the unit. Incorrect repair can cause risk of electric shock or injury to persons when unit is used.
13. Do not operate in the presence of explosive and/or flammable fumes.
14. Never remove the plug from the socket by pulling the power cord.

WARNING!

THIS PRODUCT CONTAINS A RECHARGEABLE BATTERY

- Do not store this product in high temperatures, damp areas or in direct sunlight.
- Never disassemble the product.
- Never dispose of the product in fire or water, which may result in explosion and/or injury.
- Keep product out of reach of children.
- Do not touch product with damp hands.
- Dispose of the product properly.
- The product must not be discarded with ordinary household waste.
- Contact your local recycling center for proper disposal.

FCC INFORMATION

This device complies with Part 15 of the FCC Rules. Operation is subject to the following two conditions:

- 1) This device may not cause harmful interference.
- 2) This device must accept any interference received including interference that may cause undesired operation.

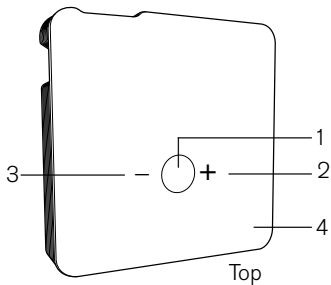
Warning: Changes or modifications to this unit not expressly approved by the party responsible for compliance could void the user's authority to operate the equipment. Note: This equipment has been tested and found to comply with the limits for a Class B digital device, pursuant to Part 15 of the FCC Rules. These limits are designed to provide reasonable protection against harmful interference in a residential installation. This unit generates, uses, and can radiate radio frequency energy and if not installed and used in accordance with the instructions, may cause harmful interference to radio communications. However, there is no guarantee that interference will not occur in a particular installation. If this equipment does cause harmful interference to radio or television reception, which can be determined by turning the equipment off and on, the user is encouraged to try and correct the interference by one or more of the following measures:

- Reorient or relocate the receiving antenna.
- Increase the separation between the equipment and receiver.
- Connect the equipment to an outlet on a circuit different from that to which the receiver is connected.
- Consult the dealer or an experienced radio/TV technician for help.

LOCATION OF PARTS AND CONTROLS

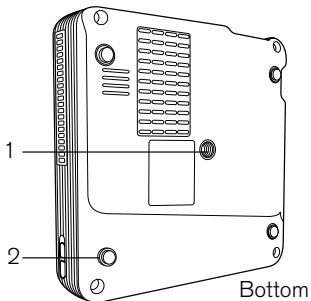
TOP

1. Touch-sensitive Mode
2. Touch-sensitive Volume Up
3. Touch-sensitive Volume Down
4. Backlit Battery Indicator Light



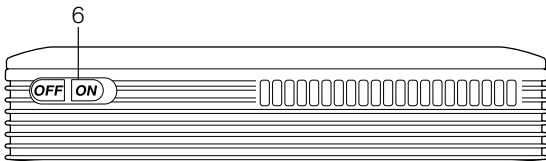
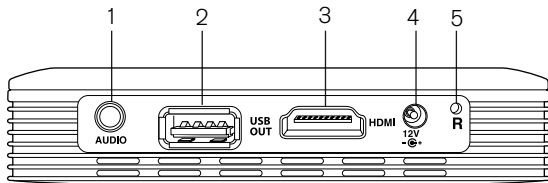
BOTTOM

1. Tripod Dock
2. Rubber Feet (4)



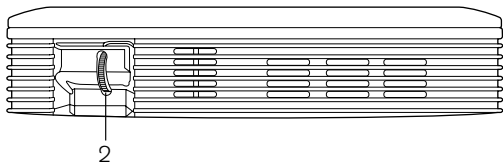
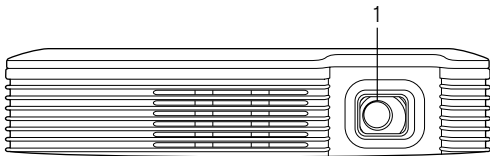
LOCATION OF PARTS AND CONTROLS

1. 3.5mm Audio Out
2. USB Out (5V) 500mA max.
3. HDMI
4. 12V Jack
5. Reset Button
6. On/Off Slide Switch



LOCATION OF PARTS AND CONTROLS

1. Projector Lamp
2. Focus Wheel
3. AC Adapter (not shown)
4. HDMI Cable (not shown)
5. Micro HDMI Adapter (not shown)
6. Mini HDMI Adapter (not shown)



COMPATIBILITY

YOUR DEVICE:	DO YOU NEED AN ADAPTER?
Apple® iPad®, iPhone® and iPod touch® devices	Yes — Apple Digital AV (sold separately)
Other smartphones, tablets and media players	Yes — Micro or Mini HDMI (included)
Laptop with HDMI port	Full-size HDMI ports require no adapter; Micro and Mini HDMI ports require adapters (included)
Gaming console with HDMI port	No
Camera, camcorder	Yes — Micro or Mini HDMI (included)

CHARGING THE PROJECTOR

1. The Projector is charged using the included AC Adapter.
2. The LED Indicator Light will illuminate Red to indicate the Projector is currently charging and then revert to Green when the Projector is fully charged.

Important: Fully charge the Projector internal battery before first use (approximately 3 to 5 hours). The approximate run-time is 2 hours.

3. A low battery icon will show on the screen when the Projector battery is low. Use the included AC Adapter to charge your Projector. If the battery is too low, the projector will automatically shut off.

SET UP

1. Connect one end of the AC adapter to the Projector 12V port and plug the other end into an electrical outlet.
2. Connect the HDMI cable (included) to the HDMI port and the other end to your device.

Note: You may need an adapter to connect your device to the HDMI cable.

Important! Apple® devices require an Apple Digital AV Adapter (sold separately) for HDMI use. For all other devices, check the manufacturer's instructions. Additional adapter specific to your device may be required (e.g. Micro/Mini HDMI).

3. Connect a speaker to the 3.5mm audio out jack, if desired.

POWERING UP AND VIEWING MEDIA

1. Power on the Projector by sliding the Power Switch to on.
2. Touch the Circle Mode area on the top of the Projector, the screen will then show you a choice of two modes, "Standard" for video and "Presentation" for text-based media. Select your preference by touching the Mode area on the top of the Projector while your choice is highlighted.
3. Choose the media you would like to view from the menu on your device and play it as you normally would.
4. The Projector can display media just about anywhere! However, for the best quality, we suggest you find a light colored wall (preferably smooth and white) and place the Projector with its lens facing the location. The Projector can show media up to 60", just move the projector towards and away from the wall to adjust the size of the picture. Dimming room lights will also add to viewing quality.

Note: If you are using one of the following device's, you will see your device's screen displaying (mirroring) on the wall.

- iPad (3rd generation)
- iPad 2
- Apple laptops with display port to HDMI adapter
- PC laptop with type A HDMI port

ADJUSTING VOLUME

Touch Mode area first to highlight. Adjust the volume of your video by lightly touching on the + or – symbols on the top of the Projector.

ADJUSTING FOCUS

Simply roll the Focus Wheel on the projector up and down to fine-tune the picture.

CHARGING YOUR DEVICE WITH THE PROJECTOR

The Projector will also work as a back-up battery for your smartphone device.

1. Connect your device to the fully-charged Projector with a USB cable (not included).
2. Your device's screen will let you know your device is charging and when it's fully charged.

TROUBLESHOOTING

- Q. The Projector will not show the video on the wall.
- A. Recharge your device's battery. Also, check to see if the HDMI cable is fully inserted into the Projector and your device.
- Q. The video showing on my wall is blurry.
- A. Adjust the Focus Wheel on the Projector to fine-tune the picture. It may also depend on the surface on which you are attempting to show your video. Try moving to a location with a smoother wall surface.
- Q. I cannot get my device to work at all with the Projector and its battery is fully charged.
- A. Make sure the cables are inserted into the correct ports and test connections.
- Q. No signal - I am getting no input from my device.
- A. Make sure your device is on - and fully charged.

SPECIFICATIONS

Native Resolution:854 - 480 (WVGA)
LED Lamp:85 Lumens
LED Lamp Life:	Approximately 20,000 hours
Speaker:2-1W Speakers
Power:3800mAh Rechargeable Battery
Battery Life.....	.2 Hours (Fully Charged)
Screen Aspect Ratio:16:9

iPad, iPhone, and iPod touch are trademarks of Apple Inc., registered in the U.S. and other countries. PowerPoint is a registered trademark of Microsoft, Inc. DLP and the DLP® logo are trademarks of Texas Instruments.

ONE (1) YEAR LIMITED WARRANTY

Brookstone® warrants this product against defects in materials and/or workmanship under normal use for a period of ONE (1) YEAR from the date of purchase by the original purchaser ("Warranty Period"). If a defect arises and a valid claim is received within the Warranty Period, at its option, Brookstone will either 1) repair the defect at no charge, using new or refurbished replacement parts, or 2) replace the product with a new product that is at least functionally equivalent to the original product, or 3) provide a store credit in the amount of the purchase price of the original product. A replacement product or part, including a user-installable part installed in accordance with instructions provided by Brookstone, assumes the remaining warranty of the original product. When a product or part is exchanged, any replacement item becomes your property and the replaced item becomes Brookstone's property. When a store credit is given, the original product must be returned to Brookstone and becomes Brookstone's property.

Obtaining Service: To obtain warranty service, call Brookstone Limited Warranty Service at 1-800-292-9819. Please be prepared to describe the product that needs service and the nature of the problem. A purchase receipt is required. All repairs and replacements must be authorized in advance. Service options, parts availability and response times will vary. You are responsible for delivery and the cost of delivery of the product or any parts to the authorized service center for replacement, per our instructions.

Limits and Exclusions: Coverage under this Limited Warranty is limited to the United States of America, including the District of Columbia and the U.S. Territories of Guam, Puerto Rico, and the U.S. Virgin Islands. This Limited Warranty applies only to products manufactured for Brookstone that can be identified by the "Brookstone" trademark, trade name, or logo affixed to them or their packaging. The Limited Warranty does not apply to any non-Brookstone products. Manufacturers or

suppliers other than Brookstone may provide their own warranties to the purchaser, but Brookstone, in so far as permitted by law, provides these products “as is.” This warranty does not apply to: a) damage caused by failure to follow instructions relating to product’s use or the installation of components; b) damage caused by accident, abuse, misuse, fire, floods, earthquake or other external causes; c) damage caused by service performed by anyone who is not a representative of Brookstone; d) accessories used in conjunction with a covered product; e) a product or part that has been modified to alter functionality or capability; f) items intended to be periodically replaced by the purchaser during the normal life of the product including, without limitation, batteries or light bulbs; g) any product sold “as is” including, without limitation, floor demonstration models and refurbished items; or h) a product that is used commercially or for a commercial purpose.

BROOKSTONE SHALL NOT BE LIABLE FOR INCIDENTAL OR CONSEQUENTIAL DAMAGES RESULTING FROM THE USE OF THIS PRODUCT, OR ARISING OUT OF ANY BREACH OF THIS WARRANTY. TO THE EXTENT PERMITTED BY APPLICABLE LAW, BROOKSTONE DISCLAIMS ANY AND ALL STATUTORY OR IMPLIED WARRANTIES, INCLUDING, WITHOUT LIMITATION, WARRANTIES OF MERCHANTABILITY, FITNESS FOR A PARTICULAR PURPOSE AND WARRANTIES AGAINST HIDDEN OR LATENT DEFECTS. IF BROOKSTONE CANNOT LAWFULLY DISCLAIM STATUTORY OR IMPLIED WARRANTIES, THEN TO THE EXTENT PERMITTED BY LAW, ALL SUCH WARRANTIES SHALL BE LIMITED IN DURATION TO THE DURATION OF THIS EXPRESS WARRANTY.

Some states disallow the exclusion or limitation of incidental or consequential damages or how long an implied warranty lasts, so the above exclusions or limitations may not apply to you. This warranty gives you specific legal rights and you may also have other rights, which vary from state to state.

Find thousands more
great ideas online

Brookstone®

801143

Merrimack, New Hampshire USA 03054 ▪ 800-846-3000 ▪ Brookstone.com