

Brookstone®



Wireless Mobile Projector

YOU ALWAYS PUT ON SUCH A SHOW

Brookstone assumes no responsibility for any errors that may appear in this manual. Information contained herein is subject to change without notice.

All trademarks referenced herein are the property of their respective owners.

CONTENTS

Caution	2
Warning!	5
FCC Information	6
Specifications	10
Projector Compatibility	11
Included In the Box	11
Apple® Devices	12
Android™ Devices	14
Streaming Devices	15
Charging the Battery	16
Operating the Projector	17
Setup	17
Connect a Source Device	17
Audio	20
Image Adjustments	21
Charging with the Projector	22
Troubleshooting	23
One (1) Year Limited Warranty	24

CAUTION

- TO REDUCE THE RISK OF ELECTRIC SHOCK, DO NOT REMOVE COVER. THERE ARE NO SERVICEABLE PARTS INSIDE
- TO REDUCE THE RISK OF FIRE OR ELECTRIC SHOCK, DO NOT EXPOSE THIS UNIT TO RAIN OR MOISTURE.



The lightning flash with arrow-head symbol within an equilateral triangle is intended to alert the user to the presence of uninsulated "dangerous voltage" within the unit's enclosure that may be of sufficient magnitude to constitute a risk of electric shock



The exclamation point within an equilateral triangle is intended to alert the user to the presence of important operating and maintenance (servicing) instructions in the literature accompanying the unit.

IMPORTANT SAFETY INSTRUCTIONS

All of the safety and operating instructions should be read, adhered to and followed before the unit is operated.

SAVE THESE INSTRUCTIONS!

DANGER

To reduce the risk of electric shock, burns, fire or injury:

1. Do not use while bathing or in a shower.
2. Do not place or store unit where it can fall or be pulled into a tub or sink.
3. Do not place in, drop or submerge in water or other liquid.
4. Do not reach for unit that has fallen into water. Unplug it immediately.
5. Care should be taken so that objects do not fall and liquids are not spilled onto the unit.

WARNING

1. Close supervision is necessary when this appliance/product is used by or near children or mentally disabled individuals.
2. Use this unit only for its intended use as described in this manual.
3. Unplug this unit during lightning storms or when unused for long periods of time.
4. Never drop or insert an object into any opening.
5. Protect the adapter cord from being walked on or pinched, particularly at plug outlets, convenience receptacles and the point where it exits the unit.
6. Do not allow adapter cord to touch hot surfaces. Wrap cord loosely around the unit when storing.

7. The unit should be situated away from direct sunlight or heat sources such as radiators, electric heaters, heat registers, stoves, or other units (including amplifiers) that produce heat. Avoid placing on top of stereo equipment that radiates heat.
8. Never block the air openings of the unit with materials such as clothing, plastic bags or papers, or place it on a soft surface such as a bed or couch, where the air openings may be blocked.
9. Do not overload electrical outlet. Use only the power source as indicated.
10. Do not carry this unit by cord or use cord as handle.
11. Never operate this unit if it has a damaged cord or plug, if it is not working properly, or if it has been dropped or damaged, or dropped into water. If the unit's power supply cord or plug is damaged, do not attempt to fix it yourself.
12. To avoid the risk of electric shock, do not disassemble or attempt to repair the unit. Incorrect repair can cause risk of electric shock or injury to persons when unit is used.
13. Do not operate in the presence of explosive and/or flammable fumes.
14. Never remove the plug from the socket by pulling the power cord.

WARNING!

THIS PRODUCT CONTAINS A RECHARGEABLE BATTERY

- Do not store this product in high temperatures, damp areas, or in direct sunlight.
- Never disassemble the product.
- Never dispose of the product in fire or water, which may result in explosion and/or injury.
- Keep product out of reach of children.
- Do not touch product with damp hands.
- Dispose of the product properly.
- The product must not be discarded with ordinary household waste.
- Contact your local recycling center for proper disposal.

FCC INFORMATION

This device complies with part 15 of the FCC rules. Operation is subject to the following two conditions:

- 1) This device may not cause harmful interference, and
- 2) This device must accept any interference received including interference that may cause undesired operation.

WARNING: Changes or modifications to this unit not expressly approved by the party responsible for compliance could void the user's authority to operate the equipment.

CAUTION: To maintain compliance with the FCC's RF exposure guidelines, place the product at least 8 inches from nearby persons.

NOTE: This equipment has been tested and found to comply with the limits for a Class B digital device, pursuant to Part 15 of the FCC Rules. These limits are designed to provide reasonable protection against harmful interference in a residential installation. This unit generates, uses, and can radiate radio frequency energy and if not installed and used in accordance with the instructions, may cause harmful interference to radio communications. However, there is no guarantee that

interference will not occur in a particular installation. If this equipment does cause harmful interference to radio or television reception, which can be determined by turning the equipment off and on, the user is encouraged to try and correct the interference by one or more of the following measures:

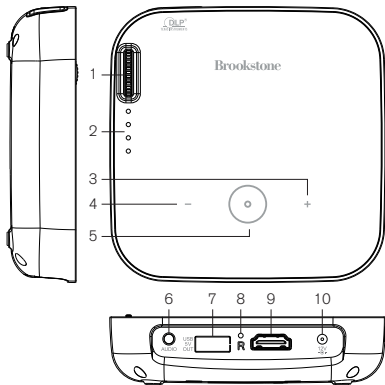
- Reorient or relocate the receiving antenna.
- Increase the separation between the equipment and receiver.
- Connect the equipment to an outlet on a circuit different from that to which the receiver is connected.
- Consult the dealer or an experienced radio/TV technician for help.

Shielded cables must be used with this unit to ensure compliance with the Class B FCC limits.

CAUTION: The radiated output power of the Wi-Fi technology is below the FCC radio frequency exposure limits. Nevertheless, it is advised to use the wireless equipment in such a manner that the potential for human contact during normal operation is minimized.

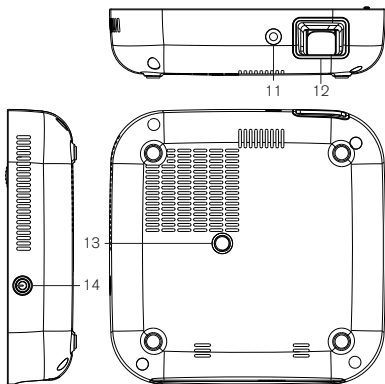
LOCATION OF PARTS AND CONTROLS

1. Focus wheel
2. Battery indicator lights
3. Volume up control
4. Volume down control
5. Mode control
6. 3.5mm audio out
7. USB out (5V/1A)
8. Reset button
9. HDMI compatible Input
10. DC input (12V/2A)



LOCATION OF PARTS AND CONTROLS

- 11. Ambient light sensor
- 12. Lens
- 13. Tripod dock
- 14. Power button



SPECIFICATIONS

Product Dimensions	4.1" x 4.1" x 1"
Brightness	Up to 100 Lumens*
Lamp Life	LED lamp with up to 20,000 hours
Image Size	Up to 80"
Distance	3ft to 10ft
Throw Ratio	1.3
Contrast Ratio	400:1*
Native Resolution	854 x 480 (WVGA)
Aspect Ratio	16:9
Built-in Speaker	2 1-watt speakers
Power	DC 12V/2A
Auto Keystone	+/- 40 degrees auto vertical keystone correction
Battery	Li-polymer, 3,800 mAh
Battery Life	Up to 1.5 hours**

*TI's DLP® IntelliBright™ technology dynamically adjusts the projector brightness range for each individual pixel based on image content and the ambient room light level.

** Battery life will be reduced when using wireless mode.

PROJECTOR COMPATIBILITY

- ◆ Included in the box
 - ◇ Purchase separately
-

INCLUDED IN THE BOX



AC Adapter



HDMI® Compatible Cable

APPLE® DEVICES

DEVICE	WIRELESS CONNECTION	WIRED CONNECTION
iPhone® 6 iPhone 6 Plus iPhone 5s iPhone 5c iPhone 5 iPod touch® 5th Gen iPad Air iPad® Mini iPad 4	Projector App required*	◇ Lightning™ Digital AV Adapter ◆ HDMI Compatible Cable
iPhone 4s iPad 3 iPad 2	Projector App required*	◇ 30-Pin Digital AV Adapter ◆ HDMI Compatible Cable



Download on the
App Store

***NOTE:** iOS 7 or later required. See the App store for more information. Wireless viewing is limited with iOS to certain file types such as native video, photos, .PPTX, .KEY, and .PDF.

DEVICE	WIRELESS CONNECTION	WIRED CONNECTION
MacBook Pro® with Retina display Mac Mini Mac Pro	Not available	◆ HDMI Compatible Cable
MacBook Air® MacBook Pro iMac®	Not available	◇ Mini DisplayPort to HDMI Adapter ◆ HDMI Compatible Cable
Apple TV	Not available	◆ HDMI Compatible Cable

ANDROID™ DEVICES

DEVICE	WIRELESS CONNECTION	WIRED CONNECTION
Samsung Galaxy S® 6	Requires Android OS 4.4 or later and wireless screen mirroring capability	Not Available - device does not support video out
Samsung Galaxy Note® 4 Samsung Galaxy Note® 3 Samsung Galaxy S 5 Samsung Galaxy S 4	Requires Android OS 4.4 or later and wireless screen mirroring capability	◇ Samsung MHL Micro USB to HDMI HDTV Adapter ◇ HDMI Compatible Cable ◇ Micro USB to USB Power Cable

STREAMING DEVICES

DEVICE	WIRELESS CONNECTION	WIRED CONNECTION
Roku® Apple TV® Amazon Fire TV U-verse®	Not available	◆ HDMI Compatible Cable
Roku® Streaming Stick®	Not available	Plugs directly into the HDMI compatible port on the projector
Google Chromecast Amazon Fire TV Stick	Not available	Plugs directly into the HDMI compatible port on the projector*

***NOTE:** Both the Chromecast and the Amazon Fire TV Stick require a power source. The USB power cable that comes with both these units can be plugged into the USB Out port on the projector or can be plugged into a wall outlet with the power adapter.

CHARGING THE BATTERY

1. The built-in battery is charged using the included AC adapter.

IMPORTANT: Fully charge the battery before first use (approx. 4-5 hours).

2. The battery has 4 battery charge indicator lights. The lights will flash in turn as the device charges. The battery is fully charged when all 4 lights are lit and no longer flash.
3. Check the battery life by briefly pushing the power button. The indicator lights will illuminate indicating the amount of battery remaining (for example, if 3 lights illuminate, there is approximately 75% of the battery life remaining).

OPERATING THE PROJECTOR

SETUP

The projector can be powered using the included AC adapter or the built-in battery.

- To power the projector with AC power, connect the AC adapter to the projector's DC input and plug the other end into an outlet. Once connected, the battery indicator lights will illuminate on the projector showing the amount of battery power remaining.
- To power the projector with the built-in battery, simply turn the projector on. To check the remaining battery life of the projector press the power button briefly.

IMPORTANT: Fully charge the battery before first use (approx. 4-5 hours).

CONNECT A SOURCE DEVICE

The projector can be connected to a variety of HDMI compatible devices via a wired connection and to some smartphones and tablets via a wireless connection.

IMPORTANT: Before you power on the projector, please be sure to check that there is nothing blocking the ambient light sensor on the front of the projector (the location of this sensor can be seen in Locations and Parts diagram on page 8). Blocking this sensor may impact the IntelliBright adjustments the projector makes which optimizes the projected image.

WIRED CONNECTION

1. To connect via a wired connection, plug in the HDMI compatible cable (included in the box) to the HDMI compatible port on the projector and to your device.

NOTE: Some devices may require an adapter to connect to your device. To determine what type of adapter you need to use, please reference the Compatibility section of this manual.

2. Power on the projector by pressing and holding the power button for 3 seconds.
3. Allow the projector 15 to 30 seconds to fully start up, sync with your device and make image adjustments.

NOTE: After syncing with the projector, you may see your device's screen being mirrored by the projector. Some devices may not have this ability, but they can still be used with the projector to project videos, and photo slide shows.

4. Choose the media you would like to view from the menu on your device and play as you normally would.

WIRELESS CONNECTION

1. To connect wirelessly, power the projector on by pressing and holding the power button for 3 seconds.
2. Allow the projector 15 to 30 seconds to fully start up. The projector will automatically start in wired mode.
3. Change the projector to wireless mode by pressing the mode button. On screen, the projector will display wireless information labeled as Android or Apple devices.

Android Devices

- a. Keep pressing the mode button until you see the Android wireless screen displayed.
- b. From the quick menu on your Android device, launch screen mirroring (some devices have a Quick Connect button for this functionality).
- c. Select the Brookstone projector from the device list.
- d. Choose the media you would like to view from the menu on your device and play as you normally would.

Apple Devices

- a. For Apple devices, download the Projector App from the App store.
- b. On the projector, keep pressing the mode button until you see the Apple Wireless screen displayed.
- c. Go to Settings on your iOS device and select Wi-Fi.
- d. Select the Brookstone projector from the list of devices. and enter the password 12345678.
- e. Launch the Projector App and select the media you would like to view.

AUDIO

If desired, connect a speaker to the 3.5mm audio out jack. If no external speaker is connected, the projector's 2 internal 1-watt speakers will be used for audio.

ADJUSTING THE VOLUME

Touch the mode control area to activate the volume controls. Use the volume up and volume down control areas to adjust to the preferred volume level.

IMAGE ADJUSTMENTS

ADJUSTING THE FOCUS

Simply roll the focus wheel control forwards and backwards to fine-tune the projected image.

ADJUSTING THE VERTICAL KEYSTONE

The projector will automatically adjust the display screen to the best condition (+/- 40 degrees automatic vertical keystone correction).

ADJUSTING INTELLIBRIGHT

WHAT IS INTELLIBRIGHT? TI's DLP® IntelliBright™ technology dynamically adjusts the projector brightness range for each individual pixel based on image content and the ambient room light level.

When the projector starts up IntelliBright will automatically optimize the projected image settings for the room environment.

CHARGING WITH THE PROJECTOR

The projector has one USB out jack which can be utilized to charge a variety of smart phones.

- Connect your device to the fully-charged projector with a USB cable (not included).
- Your device's screen will let you know your device is charging and when it's fully charged.

TROUBLESHOOTING

- Q. The projected image is blurry.
- A. Adjust the focus wheel on the projector to fine-tune the picture. Also check that the surface you are projecting on is smooth.
- Q. The projected image is too small.
- A. Move the projector farther away from the projection surface.
- Q. The projector is not projecting.
- A. Here are several things to check if your projector is not projecting:
 - If on battery power, check the battery life remaining by pressing the power button. If battery power is low, plug into AC power.
 - If on AC power, check that the AC power is plugged into the correct port on the projector and the AC adapter is securely plugged into a powered outlet.
 - If using a wired connection, check the compatibility section of this manual to ensure you are using any necessary adapters to connect your device. If an adapter is required, power down the projector, add the adapter, and then turn the projector back on. Also check with your device manufacturer to ensure your device supports video out.
 - If using a wireless connection, check the compatibility section of this manual for instructions. Also check with your device manufacturer to ensure your device supports wireless screen mirroring.

ONE (1) YEAR LIMITED WARRANTY

Brookstone® warrants this product against defects in materials and/or workmanship under normal use for a period of ONE (1) YEAR from the date of purchase by the original purchaser ("Warranty Period"). If a defect arises and a valid claim is received within the Warranty Period, at its option, Brookstone will either 1) repair the defect at no charge, using new or refurbished replacement parts, or 2) replace the product with a new product that is at least functionally equivalent to the original product, or 3) provide a store credit in the amount of the purchase price of the original product. A replacement product or part, including a user-installable part installed in accordance with instructions provided by Brookstone, assumes the remaining warranty of the original product. When a product or part is exchanged, any replacement item becomes your property and the replaced item becomes Brookstone's property. When a store credit is given, the original product must be returned to Brookstone and becomes Brookstone's property.

Obtaining Service: To obtain warranty service, call Brookstone Limited Warranty Service at 1-800-292-9819. Please be prepared to describe the product that needs service and the nature of the problem. A purchase receipt is required. All repairs and replacements must be authorized in advance. Service options, parts availability and response times will vary. You are responsible for delivery and the cost of delivery of the product or any parts to the authorized service center for replacement, per our instructions.

Limits and Exclusions: Coverage under this Limited Warranty is limited to the United States of America, including the District of Columbia and the U.S. Territories of Guam, Puerto Rico, and the U.S. Virgin Islands. This Limited Warranty applies only to products manufactured for Brookstone that can be identified by the "Brookstone" trademark, trade name, or logo affixed to them or their packaging. The Limited Warranty does

not apply to any non-Brookstone products. Manufacturers or suppliers other than Brookstone may provide their own warranties to the purchaser, but Brookstone, in so far as permitted by law, provides these products "as is." This warranty does not apply to: a) damage caused by failure to follow instructions relating to product's use or the installation of components; b) damage caused by accident, abuse, misuse, fire, floods, earthquake or other external causes; c) damage caused by service performed by anyone who is not a representative of Brookstone; d) accessories used in conjunction with a covered product; e) a product or part that has been modified to alter functionality or capability; f) items intended to be periodically replaced by the purchaser during the normal life of the product including, without limitation, batteries or light bulbs; g) any product sold "as is" including, without limitation, floor demonstration models and refurbished items; or h) a product that is used commercially or for a commercial purpose.

BROOKSTONE SHALL NOT BE LIABLE FOR INCIDENTAL OR CONSEQUENTIAL DAMAGES RESULTING FROM THE USE OF THIS PRODUCT, OR ARISING OUT OF ANY BREACH OF THIS WARRANTY. TO THE EXTENT PERMITTED BY APPLICABLE LAW, BROOKSTONE DISCLAIMS ANY AND ALL STATUTORY OR IMPLIED WARRANTIES, INCLUDING, WITHOUT LIMITATION, WARRANTIES OF MERCHANTABILITY, FITNESS FOR A PARTICULAR PURPOSE AND WARRANTIES AGAINST HIDDEN OR LATENT DEFECTS. IF BROOKSTONE CANNOT LAWFULLY DISCLAIM STATUTORY OR IMPLIED WARRANTIES, THEN TO THE EXTENT PERMITTED BY LAW, ALL SUCH WARRANTIES SHALL BE LIMITED IN DURATION TO THE DURATION OF THIS EXPRESS WARRANTY.

Some states disallow the exclusion or limitation of incidental or consequential damages or how long an implied warranty lasts, so the above exclusions or limitations may not apply to you. This warranty gives you specific legal rights and you may also have other rights, which vary from state to state. Miroir assumes no responsibility for any errors that may appear in this manual. Information contained herein is subject to change without notice.

Find thousands more
great ideas online

Brookstone®

975362