

# 3M™ Multimedia Projector MP8749

- > Workhorse for everyday meetings
- > Great blend of performance, features, & value
- > Use it at the front of the room with the built-in wide angle lens
- > Ideal for medium size meetings



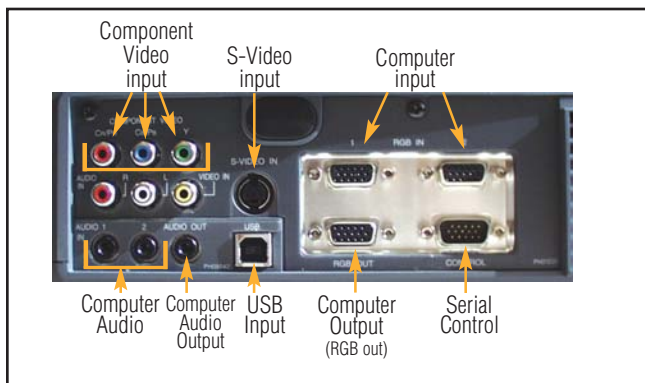
## CONNECTIONS

### COMPUTER

- > RGB (x2 input, x1 output)
- > Audio (x2 input, x1 output)
- > Serial Control

### VIDEO

- > Component (3)
- > S-Video
- > RCA Composite
- > RCA Audio (L,R)
- > Mouse Emulation (USBx1)



## BASIC SPECS

- > 2100 lumens
- > 7 lbs / 3.2 kg
- > XGA (1024x768) resolution
- > 400:1 Contrast ratio
- > Horizontal & Vertical keystone
- > Whisper mode
- > HDTV ready

Order Number: 78-9236-6677-6

*"Wherever there's a great meeting, you'll find 3M."*™

**1-800-328-1371**

**WWW.3M.COM/meetings**

**3M** *Presentation Solutions*

# SPECIFICATIONS

# 3M™ Multimedia Projector **MP8749**

## OPTICAL

- > Brightness: typical (whisper mode): 2100(1680)lumens
- > Imager set: 0.9" Polysilicon LCD
- > Resolution (native): XGA (1024x768)pixels
- > Resolution (maximum): UXGA (1600x1200)pixels
- > Aspect ratio: 4:3 native, 16:9
- > Colors: 16.7 million
- > Screen size (range): 30-300 inches
- > Zoom / Focus: Manual
- > Zoom ratio: 1.2: 1
- > Projection lens: F (focal length):1.7-2.1 (f =27.3 -32.8mm)
- > Optional lenses: No
- > Contrast ratio (on/off): 400:1
- > Lamp: W, Type: 200w UHB
- > Lamp life (average): 2000

## ELECTRICAL

- > Video compatibility: NTSC, NTSC 4.43, PAL, PAL-M, PAL-N, SECAM
- > HDTV: 480i, 480p, 525i, 525p, 720p, 1080i
- > Keystone Correction: Vertical, and Horizontal
- > Audio: 2 x 1w
- > Noise level: normal (whisper): 41 (35)dB
- > Feature set: Auto off, 4x digital magnification, blank, mouse emulation, My Screen (enduser customizable startup screen)
- > Horizontal scan: 15-80 kHz
- > Vertical scan: 50-120 Hz
- > Power consumption: 310w
- > Power supply: Universal: 100-240V AC, 50/60 Hz
- > Regulatory approvals: UL, cUL, FCC Part 15 Class B, CE, TUV, EN60950
- > Operating temperature: 32 - 95 F (0 - 35 C)
- > Storage temperature: -4 - 140 F (-20 - 60 C)

## SIZE

- > Dimensions (WxDxH): 11.7x9 x3 in. (298x228x76mm)
- > Weight: 7.0 lbs / 3.2 kg

## WARRANTIES

- > Projector: 3 Years Standard
- > Extended Warranty (optional): Ultra Value (EV8749U)
- > Lamp: 1 Year Prorated

## ACCESSORIES INCLUDED

- > Power Cords (x3 - US, UK, Euro)
- > RGB computer cable
- > RCA™ audio & video cable
- > Handle strap
- > Full function remote control
- > Stereo mini audio cable
- > Component video cable
- > Multilanguage Quick Start Guide
- > Multilanguage Operator's Guide CD

## OPTIONAL ACCESSORIES

- > Lamp (EP8749LK) 78-6969-9464-5
- > Ceiling Mount, Gyrolock style (EP8746CM) 78-6969-9261-5
- > 26-47" Adjustable Extension for GyroLock Style Ceiling Mount (EPGyroExt) 78-6969-9564-2
- > Soft Carry Case with Shoulder Strap - Projector & Notebook Computer (EP7640CC) 78-6969-9203-7
- > Rolling Hard Shipping Case (EP8746SC) 78-6969-9259-9



## Projection Distance Charts - MP8749

Distance to Screen		Screen Size		
Minimum	Maximum	Diagonal	Width	Height
3.92ft. 1.2m	4.58ft. 1.4m	40in. 101.6cm	32in. 81.3cm	24in. 61.0cm
5.92ft. 1.8m	7.25ft. 2.7m	60in. 152.4cm	48in. 121.9cm	36in. 91.4cm
7.92ft. 2.4m	9.5ft. 3.7m	80in. 203.2cm	64in. 162.6cm	48in. 121.9cm
9.83ft. 3.0m	11.83ft. 3.6m	100in. 254.0cm	80in. 203.2cm	60in. 152.4cm
11.83ft. 3.6m	14.42ft. 4.4m	120in. 304.8cm	96in. 243.8cm	72in. 182.9cm
14.75ft. 4.5m	17.75ft. 5.4m	150in. 381.0cm	120in. 304.8cm	90in. 228.6cm
20ft. 6.1m	24ft. 7.3m	200in. 508.0cm	160in. 406.4cm	120in. 304.8cm

**Note:** These sizes are ±10 percent. This is due to variations in the manufacture of the lens. If you are close to one of the endpoints you should verify with your unit that the image is the proper size at the proper distance.

## 3M Presentation Solutions

Specifications subject to change without notice.

3M is a trademark of 3M Company. All other trade names referenced are the service marks, trademarks, or registered trademarks of their respective companies.

### 3M Visual Systems Division

Building A145-5N-01  
6801 River Place Blvd.  
Austin, TX 78726-9000

### 3M Canada

P.O. Box 5757  
London, Ontario, Canada  
N6A 4T1

### 3M Mexico, S.A. de C.V.

Apartado Postal 14-139  
Mexico, D.F. 07070  
Mexico

Litho in U.S.A. © 3M 2003

78-6970-8512-0

### Important Notice

Before using this product, you must evaluate it and determine if it is suitable for your intended application. You assume all risks and liability associated with such use.

### Warranty; Limited Remedy; Limited Liability

This product will be free from defects in material and manufacture for a period of 3 years from the date of purchase. 3M MAKES NO OTHER WARRANTIES INCLUDING, BUT NOT LIMITED TO, ANY IMPLIED WARRANTY OF MERCHANTABILITY OR FITNESS FOR A PARTICULAR PURPOSE. If this product is defective within the warranty period stated above, your exclusive remedy shall be, at 3M's option, to replace or repair the 3M product or refund the purchase price of the 3M product. Except where prohibited by law, 3M will not be liable for any loss or damage arising from this 3M product, whether direct, indirect, special, incidental or consequential regardless of the legal theory asserted.