

Canon

Ultra-portable
Multimedia Projector

LV-5200



MAKE FLEXIBILITY YOUR MIDDLE NAME



**THE ZOOM LEADER AMONG
ULTRA-PORTABLES**

1.5X

Serious about features? So is Canon's compact LV-5200 projector. Featuring 1.5X motorized zoom, the most powerful in its class, exceptional brightness, and expert connectivity, it delivers unbeatable results wherever you plug it in. And thanks to its ultra-quiet operation, your audience will be treated to a one-of-a-kind projection experience.

Wide Projection Range

The bigger the zoom, the more room you have to work with. Canon's exclusive 1.5X zoom lens gives you an extensive range of flexibility, making placement easy in any size room. At the wide setting, you can project a large 100-inch image from as little as 10.4 feet away.

Superior Connectivity

The LV-5200 features a DVI-I interface for either digital or analog RGB input, allowing you to hook up two laptop computers at the same time. It also offers component, S-Video, and RCA terminals, giving you the freedom to connect to virtually any electronic device.

Quiet Operation

Keep your audience focused on the picture, not the projector. The LV-5200 features a special Silent Mode that reduces fan noise to a quiet 34 decibels. Perfect for showing movies at home or delivering a presentation in a small conference room.

Bright, Crisp Projection

Project data or video at a bright 1,700 ANSI lumens. Crisp Native SVGA resolution (800 x 600 pixels) is supplemented by XGA resolution (1,024 x 768) by using advanced, high-quality compression.

www.canonprojectors.com



Great for Classrooms, Living Rooms and Offices!

Superior Optical Technology



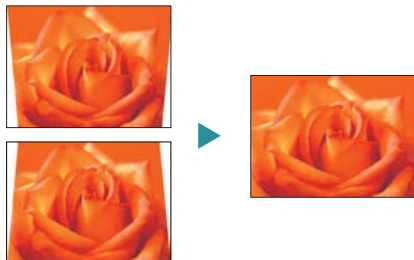
In addition to its state-of-the-art zoom range, the Canon LV-5200's projection lens has other important strengths. Its short throw distance is ideal for small rooms—100-inch projection, for example, starts at only 10.4 feet. Also, Canon's renowned lens expertise ensures low image distortion and enhanced color fidelity.

Flexible Image Adjustment

Get sharper data projection using the Hi-Contrast Mode, or crisper video with the Cinema Mode. What's more, Auto Grayscale creates sharper black & white images, while Auto Fleshtone makes portraits look livelier. Customizable settings are also included.

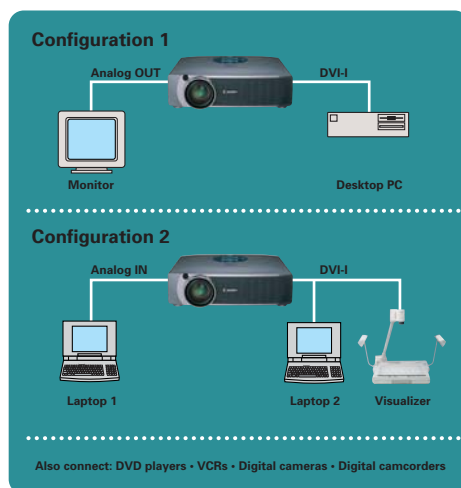
Distortion-free Images

When the LV-5200 is slightly tilted from the screen, you can keep your images perfectly proportioned by applying the projector's Keystone Correction.



Unbelievable Versatility

Unlike other projectors in its price range, the LV-5200 offers more than just wide device compatibility—it gives you more options. Digital or analog RGB input can be fed into the DVI-I terminal, and the RGB Analog (VGA) terminal can be switched to handle input or output.



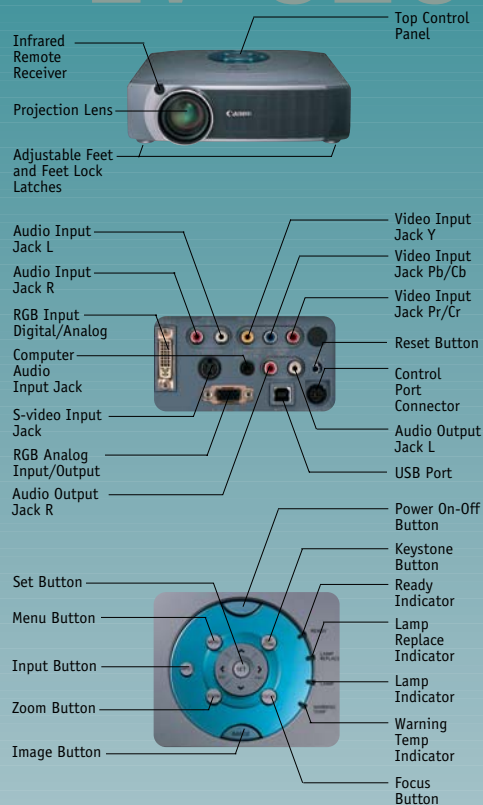
User-friendly Features

Just plug in your device, and the LV-5200 automatically adjusts itself to the incoming signal. A handy remote control provides easy access to functions such as digital zoom, image freeze, gamma adjustment, and more.

LV-5200 Kit Contents

Projector • Wireless remote control (AA alkaline batteries included) • VGA computer cable • DVI/VGA adapter • Mouse control cable for PS/2 • Lens cap • Soft carrying case • Power cable • Warranty card • User's manual

Nomenclature



Specifications

Type: Ultra-portable LCD projector
LCD Panel: 0.8" polysilicon active matrix TFT x 3. 4:3 aspect ratio
Number of Pixels: 1,400,000 800(H) x 600(V)
Supported Display Standards: Native SVGA, XGA (Compression), VGA
Light Source: 180W UHP lamp
Brightness: 1,700 ANSI lumens
Uniformity: 85% (corner to center)
Contrast Ratio: 400:1
Horizontal Resolution: 500 TV lines
Projection Lens: 25.7 to 37.9 mm, F1.7 to 2.44, 1.5X zoom
Lens Shifting: 26:1
Elevation Adjustment: Up by 15.6° (One-touch adjustment)
Projected Image Size (Projection Distance): **WIDE mode:** 36" (3.6 ft.), 100" (10.4 ft.), 150" (15.7 ft.), 200" (21.1 ft.), 300" (31.8 ft.) **TELE mode:** 24" (3.6 ft.), 36" (5.4 ft.), 100" (15.6 ft.), 150" (23.5 ft.), 200" (31.4 ft.)
Digital Keystone Distortion Compensation Angle: ±20°
Noise: 36 dBA (Normal), 34 dBA (Silent)
Color System: NTSC/PAL/SECAM/NTSC 4.43/PAL-M/PAL-N
Supported Computers: IBM PC compatible, Macintosh, PC98, workstation (Some workstations are not supported.)
Scanning Frequency: 15 to 80kHz for horizontal sync., 50 to 100Hz for vertical sync., 100MHz for dot clock
Audio Output: 1W monaural
Built-in Speaker: 1.6 x 1.2 in., x 1
Rated Supply Voltage: 100 to 120/200 to 240V AC, 50/60Hz
Power Consumption: 260W
Ambient Operation Temperature: 41 to 95°F (5 to 35°C)
Storage Temperature: 14 to 140°F (-10 to 60°C)
Dimensions (W x H x D): 13.1 x 3.5 x 9.6 in./331.5 x 89.5 x 244.1 mm excluding legs. (Legs: 0.5 in./11.5 mm)
Weight of Main Unit: Approx. 9.46 lbs. (4.3 kg)

All specifications are subject to change without notice. Canon is a registered trademark of Canon, Inc.

Canon KNOW HOW™

Canon U.S.A., Inc.
 One Canon Plaza
 Lake Success, NY 11042, U.S.A.

Canon Canada Inc.
 6390 Dixie Road
 Mississauga,
 Ontario L5T 1P7, Canada

Canon Mexicana, S. DE R.L. DE C.V.
 Periférico Sur No. 4124, 5º y 6º pisos,
 Col. Ex-Rancho de Anzaldo,
 01900 México, D.F.

Canon Latin America
 703 Waterford Way Suite 400
 Miami, FL 33126, U.S.A.

1-800-OK-CANON

www.canonprojectors.com