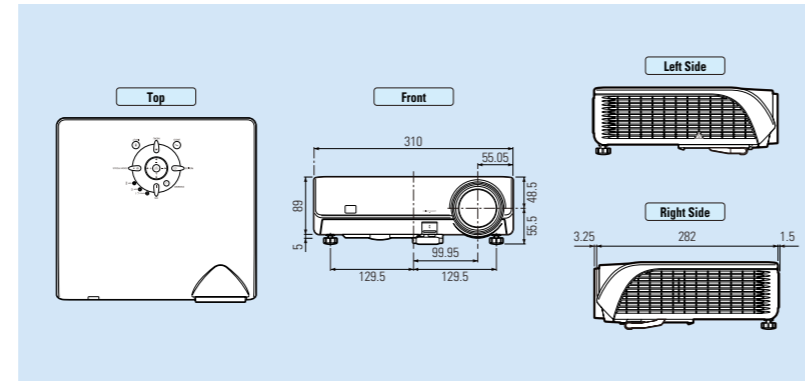


XV-Z2000

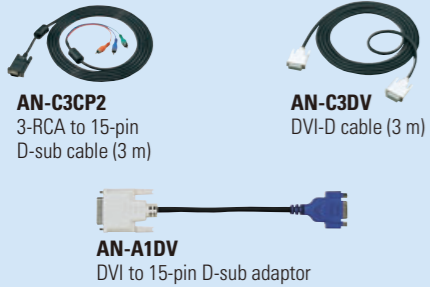


Dimensional Drawings (Unit: mm)



Optional Accessories

Cables



Lamp

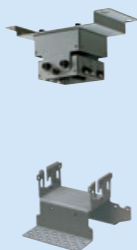


AN-K2LP

Ceiling Mounts



AN-TK201  
For high ceiling installation



AN-TK202  
For standard ceiling installation



AN-60TK  
Installation adaptor

Note: Some of the optional accessories may not be available depending on the region. Please check with your nearest Sharp Authorized Projector Dealer or Service Center.

Specifications

Model	XV-Z2000
DMD™ chip	0.8" (2.0cm) 1,280 x 720 dots HD+ Digital Micromirror Device™ (DMD™) x 1 by Texas Instruments
Number of pixels	921,600 pixels (1,280 x 720)
Resolution	720 TV lines (DTV 720P input), 500 TV lines (video input)
HDTV compatibility*1	1080i (in intelligent compression), 720P, 576P, 576i, 480P, 480i
Computer RGB input signals	XGA, Mac 19" (in intelligent compression), SVGA/VGA, Mac 16"/13"
Video colour systems	NTSC/NTSC4.43/PAL/PAL(60Hz)/PAL-M/PAL-N/SECAM
Lens	1:1.5 power zoom and focus
Projection size	40" – 200"
Projection distance	2.6 – 3.9m for wide 100" screen
Luminance	1,200 ANSI Lumen (in High-Brightness Mode)
Contrast ratio	2,500:1 (in High Contrast Mode)
CCR	85%
Input terminals	3RCA (component) input x 2, RCA video x 1, S-video x 1
RGB terminal	DVI-I (analogue component, digital & analogue RGB) x 1
Power source	100-240V AC, 50/60Hz (multi-voltage)
Power consumption	360W (standby 6W) at AC 100V
Projection lamp	275W (SHP)
Lamp life	3,000 hours (in Eco mode)
Dimensions (W x H x D)	310 x 104 x 287 mm (including adjuster legs and lens), 310 x 89 x 282 mm (main body only)
Weight	4.3 kg (including adjuster legs and lens)
Supplied accessories	10m video cable (E-version only), 21-pin scart adaptor (E-version only), lens cap, terminal cover, power cord, phosphorescent remote control

Design and specifications are current as of February 2005, but are subject to change without notice.

\*1 High Definition Television (HDTV) Monitor. Defined by CEA (Consumer Electronics Association, USA) to designate a 16:9 aspect ratio monitor or display with active vertical scanning lines of 720 progressive (720p) and higher.

\* DLP™, the DLP™ logo and the DLP™ medallion are trademarks of Texas Instruments.



Pixelworks ICs are used in this projector.

SHARP

XV-Z2000  
High Definition DLP™ Projector



Amazing BRIGHTNESS and CONTRAST

DLP™ HOME THEATRE



SHARP VISION

SHARP

SHARP CORPORATION OSAKA, JAPAN  
URL <http://www.sharp-world.com/>