



PERFORMANCE SPECIFICATIONS

Brightness ($\pm 10\%$)
 1,600 ANSI Lumens

Contrast Ratio ($\pm 10\%$)
 >4000:1

Display Type
 3 x DarkChip DMD™ with
 Fast Transit Pixels for smooth
 greyscale and improved contrast

DMD Specification
 HD: 0.8" 1280 x 720 pixels native

Sealed Optics at DMD™ Interface
 Protects DMD's™ from optical contamination

Source Compatibility

- Composite, s-video, and color difference video standards
- RGB graphics standards up to 1920 x 1080
- DVI standards
- High definition RGB and color difference standards

Video Processing

- Class leading Video de-interlacing/processing of SD and HD sources using auto 3:2 and 2:2 extraction, ruggedized for editing discontinuities
- Pixel-based motion adaptive interpolation
- User selectable preset, parametric de-gamma and user downloadable de-gamma
- Frame Delay: as low as 1 frame, source dependant
- Auto mode selection - plug and play setup

Network Connection
 LAN via RJ 45, Wireless 802.11b,
 full protocol feature set

Lamp Type
 High Intensity Discharge module

Lamp Life (Typical)¹
 1500 hours

Lens Mount
 Motorized horizontal and vertical lens
 shift, zoom and focus

Lens Shift (maximum)
Fixed lenses on HD:
 On axis only
Zoom lenses on HD:
 Vert: +0.5, -0.16 frame; Hor: ± 0.1 frame

Lens Options

0.64	:1 fixed
0.96	:1 fixed
1.2-1.44	:1 zoom
1.44-1.8	:1 zoom
1.8-2.4	:1 zoom
2.4-3.6	:1 zoom
3.6-5.6	:1 zoom

Mechanical Mounting
 Front or rear table
 Front or rear ceiling (ceiling mount
 optional)
 Integrated Handles

Dimensions (including feet)
 24.25in(L) x 20.7in(W) x 10.7in(H)
 616mm(L) x 525mm(W) x 271mm(H)

Weight (chassis only)
 53 lbs (24 kg)

Digital Projection International (DPI), Texas Instruments' first DLP™ partner and the original innovator of the 3-chip DLP™ projector, proudly introduces our newest high performance, value-driven Home Cinema display, the TITAN HD-250.

Weighing in at just 53 lbs. (24 kg.), the 3-chip DLP™ TITAN HD-250 employs the latest in DPI's illumination, optics and electronics technology. Delivering 1,600 ANSI lumens and a stunning 4000:1 contrast ratio, the TITAN HD-250 is perfect for home cinemas with screens up to 15' wide.

Dark Chip technology, by Texas Instruments, assures the broad gamut of deeply saturated colors that only a 3-chip DLP display can produce. Equipped with Digital Projection's next-generation electronics, the TITAN HD-250 provides class-leading motion-adaptive interpolation as well as state-of-the-art video de-interlacing. SD and HD sources are processed using auto 3:2 and 2:2 extraction.

Other key benefits of the TITAN HD-250 include:

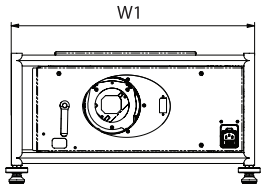
- A wide range of zoom lenses – all with extensive horizontal and vertical lens shift capability
- Ultra quiet – less than 35dBA – audibly invisible in most entertainment venues
- Sealed optics - protects the DMD's and other focal plane components from airborne contaminants
- Class leading, next generation electronics with six user-selectable inputs, including HDCP compliant DVI
- High Intensity Discharge (HID) lamp with a typical life of 1500 hours and low cost of replacement

With its rugged construction, extensive source compatibility and the proven reliability of DLP technology, the TITAN HD-250 is an unmatched imaging tool for creating stellar home cinema entertainment and home media experiences.

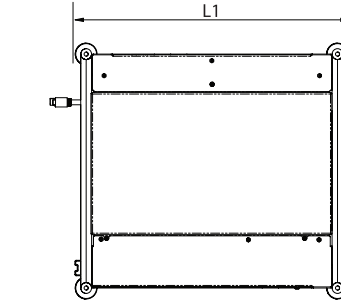
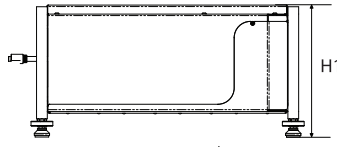
The TITAN HD-250, a highly engineered and precisely crafted 3-chip DLP™ display - priced and sized to bring the beauty of Digital Projection to your home venue.

INPUT CAPABILITIES

Type	Connector	Quantity
Composite	BNC	1
S-Video	4-pin mini DIN	1
Component Interlaced/Std def Y, Cr/Pr, Cb/Pb, S	BNCx4	1
Graphics Progressive RGB/Progressive Interlaced Hi def Y, Cr/Pr, Cb/PB	BNCx5	1
RGBHV (Progressive)	D sub (15-pin)	1
Digital RGB	DVI	1



Projector dimensions (in)
W1 20.7 H1 10.7 L1 24.25




Projector dimensions (mm)
W1 525 H1 271 L1 616



TITAN HD-250 side view

ADVANCED TECHNICAL SPECIFICATIONS

PARAMETER	
Native Color Temperature	6500°K ±1000°K; white balance-adjustment: 3000°K to 9000°K (With integral color optimization notch filter)
HDTV Formats Supported	1080i (50Hz, 60Hz), 1080p (24Hz, 25Hz, 30Hz, 50Hz, 60Hz), 1080 24sf, 720p (50, 60Hz), 480i, 480p
Scan Rates Supported	Horizontal: 15kHz to 100kHz / Vertical: 24Hz to 85Hz
Remote Control	Addressable IR remote control, wireless and wired with loop-through On board invertable keypad
Automation Control	LAN connection via RJ45 (ASCII Protocol) / RS232 9-pin D type (Hex Protocol)
Operating/Storage Temperature	Operating: 0 to 40°C / Storage: -10 to 50°C
Operating Humidity	20 to 80% non-condensing
Thermal Dissipation	1733 BTU
Fan Noise	Less than 35 dBA
Power Requirements	100-240 VAC ±10%, 50/60Hz single phase
Power Consumption	500 Watts

PROJECTOR	PART NO.	LENSES	PART NO.	ACCESSORIES	PART NO.
TITAN HD-250	106-240	0.64 :1 fixed	001-734	Replacement lamp	102-246
		0.96 :1 fixed	001-735	Rigging Frame	104-923
		1.2-1.44:1 zoom	001-736	Ceiling mount	105-021
		1.44-1.8:1 zoom	001-737	Infrared remote (replacement)	105-023
		1.8-2.4 :1 zoom	001-738		
		2.4-3.6 :1 zoom	001-739		
		3.6-5.6 :1 zoom	001-740		

¹ Based on 4-6 hour/day operational profile. Venue and application conditions may impact actual lamp life. See Digital Projection's Product Warranty Statement for details on lamp warranty.

