



aviello

by projectiondesign



spectra

projectiondesign as
Habornveien 53
NO-1630 Gamle Fredrikstad
Norwegen
+47 69 30 45 50

aviello@projectiondesign.com

www.aviello.com

Key features

The spectra is compatible with HDMI 1.3a, and is accompanied by a DVI connector that features the same HDMI compatibility, but has added structural support for heavy gauge cables. Both digital inputs feature our unique digital DPEq Digital Pixel Equalization, thus can be used with up to 30m / 100ft¹ copper digital cables without signal loss at 1080p resolution.

The aviolo spectra supports SMPTC, REC 609 and EBU colour gamut. Each projector is uniquely characterised and calibrated at the factory, ensuring best possible image quality. By increasing saturation and accuracy in the difficult secondary colours cyan, magenta, and yellow by using BrilliantColor™, projectiondesign have made a projector with unmatched colour reproduction.

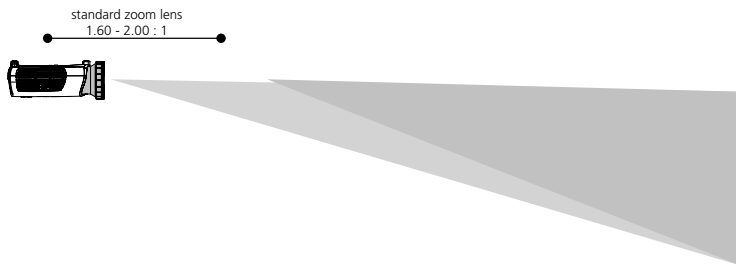
The new FusionPlus VIDI UHP™ lamp is the first of its kind. Using a totally dynamic digital driver power supply, it remains true in image quality throughout its life, for an unprecedented long term stability. The lower power 220W lamp ensure that little heat is generated, thus makes for a very quiet projector!

Sealed, optical architecture prevents dust and contamination from entering the optical assembly for optimum purity. The aspherical lens elements and proprietary LD (Low Dispersion) glass gives a lens with excellent ability to resolve the finer detail of 1080p resolution. It is detail and interscene contrast that creates stunning images, not only overall black/white contrast.

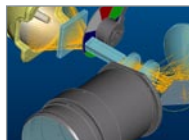
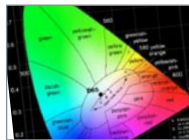
Unmatched attention to detail sets the spectra in a league by itself. A solid, yet ultra compact, molded magnesium chassis acts as a heat sink, reduces operating noise, and makes it virtually bomb proof! The sturdy chassis creates an incredibly stable platform for optics, mechanics and electronics.

1) 30m / 100ft requires 24 AWG cable.

High quality projection lenses



The spectra features a prism-less optical design designed for the best possible image quality, with outstanding contrast, low colour and optical distortion. A prism-less design ensures no flare in the light path.



Technical specifications

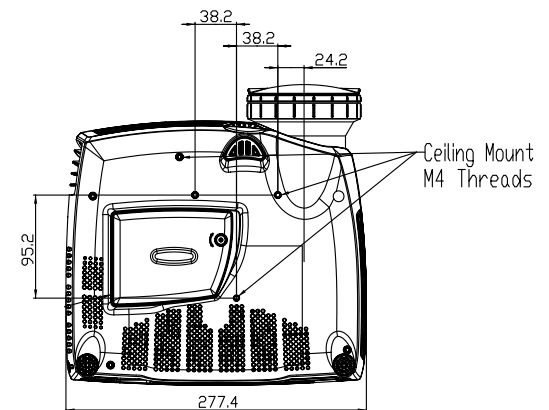
projector		full HD 1080p home cinema DLP® projector
display	concept	single chip, 0.95" 1080p DMD™ BrilliantColor™ technology 1920 x 1080 resolution 6-segment colour wheel (RGBCMY)
	compatibility	1080i/p, 720p, 576i/p, 480i/p, PAL SECAM, NTSC digital and analogue RGB
optics and lamp	zoom lens	1.60 – 2.00 : 1
	lens offset	approximately 125% vertical (with standard zoom lens)
	contrast	>5000 : 1 (native optical contrast)
	brightness	about 950 ANSI lumens, adjustable
	lamp	220W FusionPlus VIDI UHP™ 3000 hours typical in standard power mode 2000 hours in high power mode
connectivity	video	HDMI 1.3a (HDCP) DVI-I (HDCP) (HDMI 1.3 compatible) 1x RCA (YPbPr, YCbCr) (component video) 1x S-Video (s-video) 1x RCA (composite video) HDD-15 (RGBHV, RGBS, RGSB, YUV)
	control	LAN (TCP/IP), RS232, USB IR remote control with IR repeater input
general	operating noise level	<29 dB(A) typical in standard mode
	dimensions (d x w x h)	234 x 278 x 94 mm
	weight	3.4 kg / 7.5 lbs
	available colours	pearl white, etruscan bronze
	warranties	3 years limited warranty, 90 days/500 hours on lamp. Conditions apply

Screen sizes, throw distances foot lambert

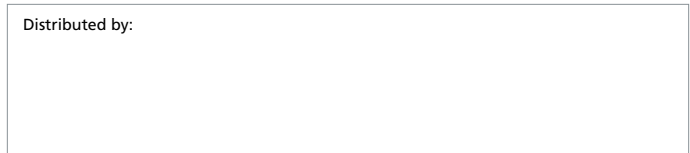
visible area w x h	screen size (diag.)		distance to screen (cm)		foot lamberts
	cm	inches	min	max	
160 x 90	72	28.3	256	336	32
182 x 103	82	32.3	291	382	26
203 x 114	92	36.2	324	426	22
221 x 125	100	39.4	354	464	18
234 x 132	106	41.7	374	491	16
244 x 137	110	43.3	390	512	14

± 5% tolerances

Standardised bolt-on ceiling mount interface



Distributed by:



© 2008 projectiondesign as. All rights reserved. All brands and trade names are the property of their respective owners. Specifications subject to change without prior notice. All values are typical and may vary. Please visit our website for latest specifications and product offerings.