



aviello®  
by projectiondesign



prisma

projectiondesign as  
Haborneveien 53  
NO-1630 Gamle Fredrikstad  
Norway  
+47 69 30 45 50

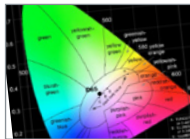
aviello@projectiondesign.com  
[www.aviello.com](http://www.aviello.com)

### Key features

The prisma has been designed specifically to be small and unobtrusive, yet retain reference level performance. Unbelievably small, it is practically unnoticeable when installed on the ceiling. The prisma comes standard in two different quality finishes; etruscan bronze and pearl white.



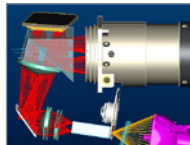
The avielo prisma supports the most common colour gamuts. Each projector is uniquely characterised and calibrated at the factory, ensuring best possible image quality. With the use of our own revolutionary RealColor colour management suite, the avielo spectra features near unmatched colour accuracy.



The avielo prisma is compatible with HDMI 1.3a, and is accompanied by a DVI connector that features the same HDMI compatibility, but has added structural support for heavy gauge cables. Both digital inputs feature our unique digital DPEq Digital Pixel Equalization, thus can be used with up to 30m / 100ft<sup>1</sup> copper digital cables without signal loss at 1080p resolution.



Sealed, optical architecture prevents dust and contamination from entering the optical assembly for optimum purity. The aspherical lens elements and proprietary LD (Low Dispersion) glass make lenses with excellent ability to resolve the image details of high resolution. It is detail and inter-scene contrast that creates stunning images, not only overall black/white contrast.

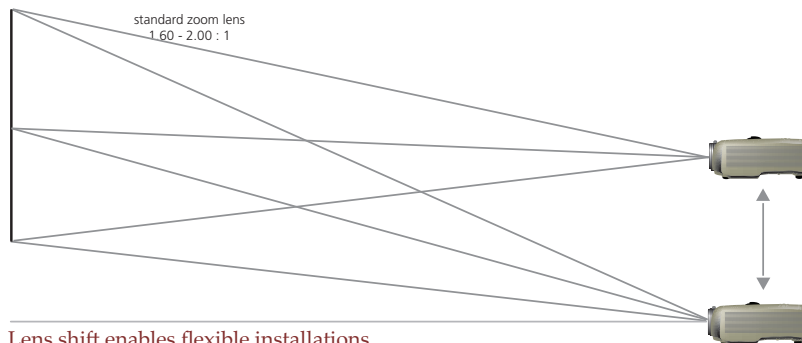


Unmatched attention to detail sets the prisma in a league by itself. A massive molded magnesium chassis acts as a heat sink, and reduces operating noise. The sturdy chassis creates an incredibly stable platform for optics, mechanics and electronics. Lamp change is easy - out of the front panel of the projector without need to dismount it in the installation.



1) 30m / 100ft requires 24 AWG cable.

### High quality projection lenses



### Lens shift enables flexible installations

The prisma features 0 - 122% vertical lens shift. That means more flexibility with installations and no keystone correction needed for a perfectly rectangular image.

### Technical specifications

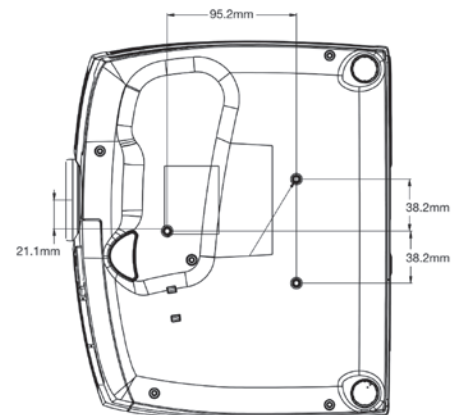
		avielo prisma
projector		720p home cinema DLP® projector
display	concept	single chip, 0.95" 1080p DMD™ BrilliantColor™ technology 1280 x 720 resolution 6-segment, 7x colour wheel, RGBCMY
	compatibility	1080i/p, 720p, 576i/p, 480i/p, PAL SECAM, NTSC digital and analogue RGB
optics and lamp	available lenses	0.90 : 1, 1.10 : 1, 1.95 - 2.43 : 1, 2.97 - 4.63 : 1
	lens shift	approximately 122% vertical (except Ultra wide)
	contrast	>4000 : 1 (native optical contrast)
	brightness	about 1000 ANSI lumens, adjustable
	lamp	220W UHP™, adjustable power, 170 - 220W
	lamp life expectancy	3000 hours typical in standard power mode 2250 hours in high power mode
connectivity	video	HDMI 1.3a (HDCP) DVI-I (HDCP) (HDMI 1.3 compatible) 1x RCA (YPbPr, YCbCr) (component video) 1x S-Video (s-video) 1x RCA (composite video) HDD-15 (RGBHV, RGBS, RGSB, YUV)
	control	LAN (TCP/IP), RS232, USB IR remote control with IR repeater input
general	operating noise level	<29 dB(A) typical in standard mode
	dimensions (d x w x h)	234 x 278 x 94 mm (excluding lens)
	weight	2.98 kg
	available colours	pearl white, etruscan bronze
	warranties	3 years limited warranty. 90 days/500 hours on lamp. Conditions apply.

### Screen sizes, throw distances, brightness

visible area w x h	screen size (diag.)	distance to screen (cm)		foot lamberts
		min	max	
160 x 90	72	256	336	30
182 x 103	82	291	382	24
203 x 114	92	324	426	20
221 x 125	100	354	464	16
234 x 132	106	374	491	13
244 x 137	110	390	512	11

± 5% tolerances

### Standardised bolt-on ceiling mount interface



Distributed by:



© 2008 projectiondesign as. All rights reserved. All brands and trade names are the property of their respective owners. Specifications subject to change without prior notice. All values are typical and may vary. Please visit our website for latest specifications and product offerings.