

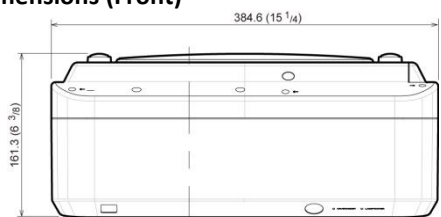
Ultra Short Throw Projector VPL-SW525C

Key Features

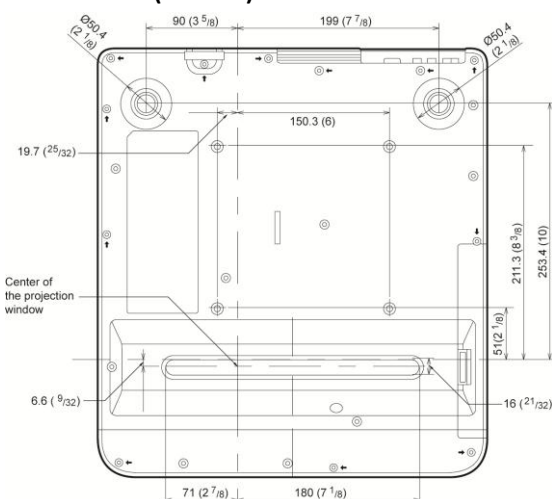
- Built-in interactivity with Dual pen input
- 2,500 lumens (ISO 21118)
- Native WXGA (1,280x800) resolution
- High contrast ratio
- BrightEra® Panel
- Ultra Short throw distance (TR= 0.27:1-0.29:1)
- Optical lens shift and zoom for easy adjustment
- Auto Power saving mode
- Picture Muting
- Long-lasting lamp
 - Recommended lamp replacement time 6000h (low mode)
- Synchronized lamp and filter maintenance cycle
- Energy efficient design
 - Auto power saving mode and Picture muting with lamp dimming
 - ECO MODE key
- Convenient terminals including HDMI, RS-232C and RJ-45
- Supplied Wall Mount

Dimensions (Front)

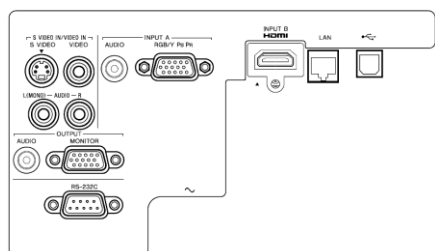
Unit: mm (inches)



Dimensions (Bottom)



Connector Panels



Optical		
Light Output / Color Light Output	2500 lumens (Lamp mode: High) 2100 lumens (Lamp mode: Standard) 1800 lumens (Lamp mode: Low)	
LCD Panels	0.75"x3 BrightEra LCD Panel	
Panel Display Resolution	WXGA (1280x800 dots)	
Contrast Ratio	2,500:1 (Full white/full black)* ¹	
Light Source	Ultra high-pressure mercury lamp 210 W type	
Recommended Lamp Replacement Time* ²	3000H (Lamp mode: High) 4500H (Lamp mode: Standard) 6000H (Lamp mode: Low)	
Filter Cleaning Cycle* ²	Max. 6000H Same time as the lamp replacement is recommended	
Projection Lens	Zoom / Focus	Approx. 1.05x Manual Zoom / Manual Focus
	Lens Shift	Manual, Vertical +/- 4% Horizontal +/- 2%
	Throw Ratio	0.27:1 to 0.29:1
Screen Size	70" to 130"	
Interface		
Computer and Video Input/Output	INPUT A	Mini D-sub 15-pin (RGB/Y Pb Pr) Audio: Stereo mini jack
	INPUT B	HDMI (Digital RGB/Y Pb Pr, Digital Audio) (HDCP support)
	VIDEO IN	Pin Jack Audio : Pin jack (x2) (shared with S VIDEO IN)
	S VIDEO IN	Mini DIN 4-pin Audio : Pin jack (x2) (shared with VIDEO IN)
	Monitor OUT	Mini D-sub 15-pin (from INPUT A)
	Audio OUT	Stereo mini jack (variable out)* ³
Other Signal Input/Output	RS-232C	D-sub 9-pin (male)
	LAN	RJ-45, 10BASE-T/100BASE-TX
	Other	USB Type B for interactive module
General		
Speaker	10Wx1 (monaural)	
Scanning Frequency	H: 14 to 93 kHz, V: 47 to 93 Hz	
Display Resolution	Computer Signal Input	Maximum display resolution : UXGA 1600x1200 dots
	Video Signal Input	Video(Composite), 15k(480/60i, 575/50i), DTV (480/60p, 575/50p, 720/60p, 720/50p, 1080/60i, 1080/50i)
Color System	NTSC3.58, PAL, SECAM, NTSC4.43, PAL-M, PAL-N	
UPC Code	0 27242 85202 0	
Power Requirements	AC 100 V to 240 V, 3.5 A to 1.2 A, 50 Hz/60 Hz	
Power Consumption	290 W (AC 100 V-120 V) 280 W (AC 220 V-240 V)	
Standby Mode Power Consumption	7.5 W (Std)/ 0.2 W (Low) (AC 100V-120 V) 7.5 W (Std)/ 0.3 W (Low) (AC 220V-240 V)	
Dimensions (WxHxD) (without protrusion)	384.4 x 122.5 x 423.4 mm 15 1/8 x 4 13/16 x 16 21/32"	
Mass (without wall mount)	7.1 kg /15 lb 10 oz	
Optional Accessories		
Replacement Lamp	LMP-E212	
Replacement Interactive Pen Device	IFU-PN100M, IFU-PN100S	
Service Parts		
Replacement Filter	4-400-488-01 (FILTER A [Outside]) 4-400-490-01 (FILTER B [Inside]) (Filters are cleanable)	
Replacement Remote	1-489-222-11 (RM-PJ7)	

*¹ The value is average with lamp dimming.

*² Expected maintenance time not guaranteed. Lamp and filter performance will vary based on operating environment and use.

*³ Works as an audio switcher function. Output from a selected channel, not available in standby.