

## MULTIMEDIA DATA/VIDEO PROJECTORS

*Stimulating images  
are the key to  
good communications*

**NEW** Mobile XGA Projector

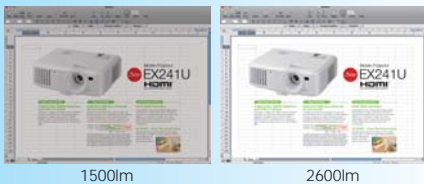
# EX241U

**HDMI™**  
HIGH DEFINITION MULTIMEDIA INTERFACE



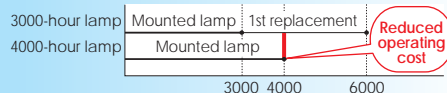
### High Image Quality

**2600lm Brightness  
and 2700:1 Contrast**



### High Reliability

**Estimated  
4000-hour lamp life  
(in Low mode)**



Lamp life specification is an estimate based on verification under proper conditions and is not the duration of the warranty. Lamp will shut-off automatically when usage reaches the specified estimated maximum lamp hours. Service life may vary widely depending on usage and operating environment and conditions, as well as users' adherence to the maintenance and cleaning procedures provided in the user's manual.

### User friendly function

**Quiet 29dB Operation**

**Advanced Network  
Management**



### More Functions

- 3D READY – Enjoy the future today
- Wall Screen
- Direct Power Off
- Top-loading lamp\*1
- Audio Pass Through

\*1: A lamp replacement attachment is included to prevent the lamp from being dropped during replacement.



Top-loading lamp

- Stand-by Mode under 0.5W\*2
- BrilliantColor™\*3 (6-segment color wheel) Adopted
- 18-language On-screen Display Capable
- Closed Caption (CC) Capable
- Dual RGB Input Terminal

\*2: When LAN control is set to RS-232C, and "Stand-by Audio Out" and "Stand-by Monitor Out" are set to "Off."

\*3: BrilliantColor is a trademark of Texas Instruments.

**NEW**

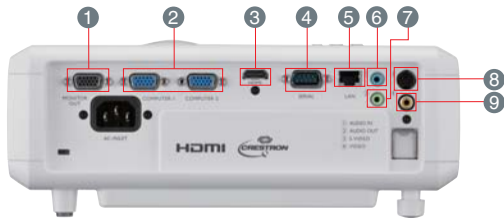


Mobile  
XGA  
Projector

# EX241U

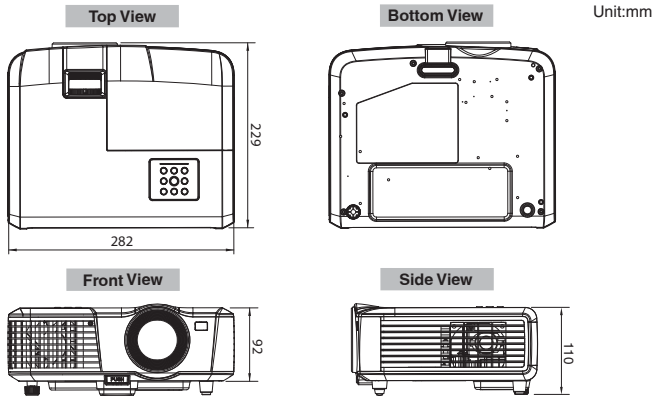
Brilliant Color™	Wall Screen	Password Lock	Direct Power Off	Long-life Lamp	Low Standby Power	Picture Performance
Top Loading Lamp	Closed Caption	Low Fan Noise	LAN (RJ-45)	HDMI		User Friendly

## Input and Output Terminals



- 1 Monitor output
- 2 PC/Component video input
- 3 HDMI
- 4 Serial RS-232C
- 5 LAN (RJ-45)
- 6 Audio input
- 7 Audio output
- 8 S-Video
- 9 Video

## Dimensions



for a greener tomorrow

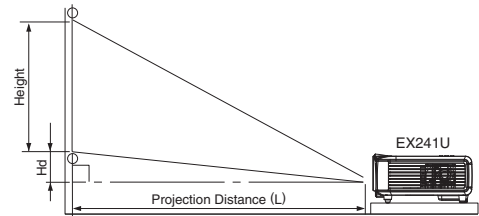
Eco Changes is the Mitsubishi Electric Group's environmental statement, and expresses the Group's stance on environmental management. Through a wide range of businesses, we are helping contribute to the realization of a sustainable society.

## Specifications

Model	EX241U
Display Technology	0.55" 1-Chip DMD
Resolution	1024 x 768 (Total 786,432 pixels)
Brightness*	2600lm
Contrast Ratio	2700 : 1
Picture Size	40" - 300"
Throw Ratio	1.9 - 2.1
Est. Lamp Life Rating	Standard Mode: 3000hrs Low Mode: 4000hrs
PC Compatibility	640 x 480 - 1600 x 1200, True: 1024 x 768, Sync on Green available
Video Compatibility	NTSC / NTSC 4.43 / PAL (including PAL-M, N) / SECAM / PAL-60 Component Video: 480i/p (525i/p), 576i/p (625i/p), 720p (750p), 1080i/p (1125i/p 60Hz), 1080i/p (1125i/p 50Hz)
Input Terminals	RGB: mini D-sub 15pin x 2 Video: RCA x 1 + S-VIDEO x 1 Digital: HDMI x 1 Audio: Stereo mini jack (ø3.5mm) x 1
Output Terminals	RGB: mini D-sub 15pin x 1 Audio: Stereo mini jack (ø3.5mm) x 1
Communication Terminals	Serial: D-Sub 9pin x 1 (RS-232C) LAN: RJ-45 x 1 (Projector Control)
Speaker Output	2W Mono
Dimensions (W x H x D)	11.1" x 3.6" x 9.0"
Weight	5.5lbs
Power Requirements	AC 100-240V, 50/60Hz
Replacement Lamp	VL-EX240LP
Warranty	3-Years of Parts/Labor, 3-Years of Express Replacement Assistance (ERA), 1-year or 500 hours lamp warranty (whichever comes first)

\*Compliant with ISO21118-2005 • Varies depended on condition. • All brand names and product names are trademarks, registered trademarks or trade names of their respective holders. • Lamp life specification is an estimate based on verification under proper conditions and is not the duration of the warranty. Lamp will shut-off automatically when usage reaches the specified estimated maximum lamp hours. Service life may vary widely depending on usage and operating environment and conditions, as well as users' adherence to the maintenance and cleaning procedures provided in the user manual. • HDMI, the HDMI Logo, and High-Definition Multimedia Interface are trademarks or registered trademarks of HDMI Licensing LLC in the United States and other countries."

## Screen size and Projection distance



Screen size chart (4:3 aspect ratio)

Screen		Width (W)		Height (H)		Distance from screen (L)		Height projected image (Hd)			
Diagonal Size		inch	cm	inch	cm	Shortest (Wide)	Longest (Tele)	inch	cm		
40	102	32	81	24	61	60	1.5	66	1.7	2	6
60	152	48	122	36	91	90	2.3	99	2.5	4	9
80	203	64	163	48	122	120	3.0	132	3.4	5	12
100	254	80	203	60	152	150	3.8	165	4.2	6	15
150	381	120	305	90	229	225	5.7	247	6.3	9	23
200	508	160	406	120	305	300	7.6	330	8.4	12	30
250	635	200	508	150	381	375	9.5	412	10.5	15	38
300	762	240	610	180	457	450	11.4	-	-	18	46

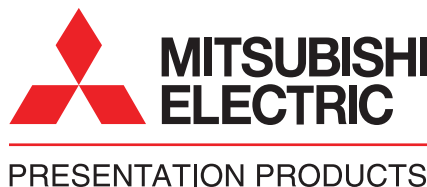
The above numbers are approximate, and may be slightly different from the actual measurements.

Screen size chart (16:9 aspect ratio)

Screen		Width (W)		Height (H)		Distance from screen (L)		Height projected image (Hd)			
Diagonal Size		inch	cm	inch	cm	Shortest (Wide)	Longest (Tele)	inch	cm		
40	102	35	89	20	50	66	1.7	73	1.9	6	15
60	152	52	133	29	75	99	2.5	109	2.8	9	22
80	203	70	177	39	100	132	3.4	146	3.7	12	30
100	254	87	221	49	125	166	4.2	182	4.6	15	37
150	381	131	332	74	187	248	6.3	273	6.9	22	56
200	508	174	443	98	249	331	8.4	364	9.3	29	75
250	635	218	553	123	311	414	10.5	455	11.6	37	93
275	699	240	609	135	342	455	11.6	-	-	40	103

The above numbers are approximate, and may be slightly different from the actual measurements.

**MITSUBISHI ELECTRIC**  
VISUAL SOLUTIONS AMERICA  
Professional Product Sales  
Phone: 888.307.0349  
www.mitsubishi-presentations.com



**MITSUBISHI ELECTRIC SALES**  
CANADA, INC.  
Display & Imaging Solutions Division  
Phone: 905.475.7728  
www.mitsubishielecric.ca