

Specifications

SMART Board™ Interactive Whiteboard System

Model 680i3

Physical Specifications

UF55 Projector System

Total Size 18 1/2" W × 15 1/2" H × 47 1/4" D
(47 cm × 39.4 cm × 120 cm)

Remote Control 1 5/8" W × 3 3/8" H × 1/4" D
(4 cm × 8.6 cm × 7 mm)

Extended Control Panel 11" W × 7 5/8" H × 2 3/8" D
(27.9 cm × 19.4 cm × 6 cm)

Weight 33 lb. 14 oz. (15.4 kg)

Shipping Weight 41 lb. 3 oz. (18.7 kg)

Shipping Size

Boom Box 39 3/4" W × 9 1/2" H × 16" D
(100.9 cm × 24.1 cm × 41.2 cm)

Projector Box 18 1/2" W × 15 1/8" H × 8 1/4" D
(47 cm × 38.5 cm × 21cm)

SMART Board™ 680 Interactive Whiteboard

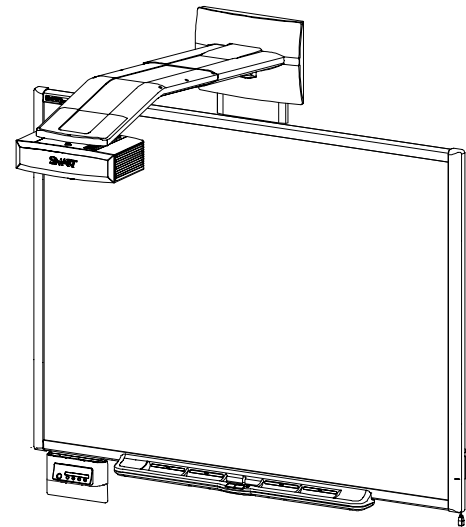
Size 65 1/4" W × 49 1/2" H × 5 1/8" D
(165.7 cm × 125.7 cm × 13 cm)

Active Screen Area 61 5/8" W × 46 1/8" H
(156.5 cm × 117.2 cm)
77" (195.6 cm) diagonal

Weight 30 lb. (13.6 kg)

Shipping Size 73 1/2" W × 54" H × 5 1/2" D
(186.7 cm × 137.2 cm × 14 cm)

Shipping Weight 45 lb. (20.5 kg)



All dimensions +/- 1/8" (0.3 cm). All weights +/- 2 lb. (0.9 kg)

Standard Features

Software	SMART Notebook software included. See the SMART Notebook software specifications for a complete list of system requirements. Software upgrades are available at www2.smarttech.com/st/en-US/Support/SBS/ .
Certifications and Compliance	CSA (U.S./Canada), CB, CE, FCC, RoHS (China), RoHS (Europe), WEEE, VCCI (Japan), C-Tick (Australia)
Warranty	The projector and extended control panel (ECP) have a three-year limited equipment warranty. The UF55 projector lamp has a 500 hour/90 day warranty. The interactive whiteboard has a two-year limited equipment warranty or a five-year limited equipment warranty upon registration. See warranty documents for details.
Cables	Includes the necessary cables to connect the projector to the extended control panel. However, you must supply the appropriate input cables for your personal computer and devices.

Interactive Whiteboard Features

Pen Tray	Optical sensors in the pen tray detect when you lift a pen or the eraser from the tray. LED lights show the active tool.
Pens and Eraser	A rectangular eraser and black, blue, red and green pens
Resolution	Touch resolution is approximately 4000 × 4000.
Screen Surface	The hard-coated surface is tear proof, optimized for projection, compatible with dry-erase markers and cleans easily with whiteboard cleaner.
Digitizing Technology	Resistive technology
Frame Finish	Two-tone gray (approximates Pantone® Charcoal Gray 18-0601 TPX) and Ultrasonic Chrome (approximates metallic Pantone 877C)
Wall-Mount Bracket	32" (81.3 cm) wide with five screws and drywall anchors to support the wall-mounted interactive whiteboard
Projector Mounting Template	The template ensures simple installation and accurate alignment between the UF55 projector and your SMART Board 680 interactive whiteboard.
Installation Instructions	Do not use the SMART Board 680 interactive whiteboard instructions when installing the SMART Board 680i3 interactive whiteboard system. The installation instructions for the SMART Board 680i3 interactive whiteboard system are included with the UF55 projector.
Theft Prevention	The SMART Board 680 interactive whiteboard features a pen tray locking feature and a Kensington lock slot on the pen tray.

UF55 Projector System Features

System Components	UF55 projector, boom mount with a limit strap (including a controlled-collapse feature), extended control panel (ECP), remote control and all necessary input cables from the ECP to the projector
Image Adjustment	The mounting boom includes three mechanical adjustments for aligning the projector image with your interactive whiteboard. The projector also has a focus lever and a digital on-screen menu for brightness, contrast and other image-related attributes.
Display Type	True XGA 1024 × 768 projector
Display Technology	The projection engine uses DLP® technology by Texas Instruments®, providing Brilliant Color™ performance and quality Gamma 2.2 correction with Bright Classroom, Dark Classroom, sRGB and User modes.
Brightness	Estimated at 2000 lumens (typical) at a CCT of 6500° K by the IEC method
Lamp Life	3000 hours (Standard 200 W mode) or 4000 hours (Economy 160 W mode)
Aspect Ratio	4:3 native, with support for 16:9, 16:10 and 4:5 ratios
Contrast Ratio	2000:1
Video System Compatibility	NTSC, NTSC 4.43, PAL, PAL-N, PAL-M, SECAM
Video Interface Compatibility	Composite, S-video, and VESA RGB, with additional interface support for Component YPbPr and Component YCbCR inputs with the proper adapters (not included)
Video Format Compatibility	Native 4:3 aspect ratio XGA projector resolution. With scaling, VGA, SVGA, SXGA, QuadVGA, SXGA+ and UXGA formats are supported.
Synchronization	Auto image synchronization (auto tracking, frequency, position adjustment, source detect and phase detect)
Mounting Hardware	Hardware is included for mounting the UF55 projector and the ECP to framed and solid walls. A safety tether and limit strap are included.
Input/Output Connections	Two HD DB15F connectors – RGB video input from computer and/or ECP via VGA connectors HD DB15F connector – video output passthrough of Video Input 1 signal 4-pin mini-DIN connector – S-video input One pair of audio jacks (RCA, stereo) reserved for use with S-video Composite video connector – RCA-style video input One pair of audio jacks (RCA, stereo) reserved for use with composite video 3.5 mm stereo jack – audio input from computer 3.5 mm stereo jack – audio output to connect speakers DB9M – serial (RS-232) for power and communication to the ECP RJ-45 – network connection for SNMP management and control, and for sending e-mail alerts

Projector Fan	Standard fan speed: 0 to 6000' (0 m to 1829 m) 5° C to 35° C High fan speed: 6000' to 6800' (1829 m to 2073) 5° C to 30° C
Projector Noise	36 dBA (high fan speed) or 31dBA (standard fan speed) measured using JIS method
Power Requirements	100V AC to 240V AC, at 50 Hz to 60 Hz
Power Switch	Master power control switch
Power Cable	One 14' 9" (4.5 m) power cable included
External Control	The RS-232 connector is configured to accept control codes from your computer or a room control system.
Power Consumption	385 W (Standard mode) to 504 W maximum. 5 W in Standby mode.
Remote Control	Provides an alternate method of controlling the UF55 projector settings
Theft Protection	The UF55 projector system features optional security screws on the projector plate and an optional padlocked ring to safeguard the adjustment knob. The projector won't function if it is separated from the ECP and can't be operated without the remote control. A Kensington security lock slot is provided to affix the system to a wall as a visual and physical theft deterrent.

Extended Control Panel (ECP) Features

Input/Output Connections	HD DB15F connector – RGB video from computer (supports component video CAV, YPbPr or YUV) HD DB15F connector – RGB video to projector DB9F – serial (RS-232) computer or room control connection DB25M – provides input signals and control signals to the projector 4-pin mini-DIN connector – S-video input One pair of audio jacks (RCA, stereo) reserved for S-video Composite video connector – RCA-style video input One pair of audio jacks (RCA, stereo) reserved for composite video 3.5 mm stereo jack – PC audio input
Power Button	Turns the projector on and off
Input Selection Buttons	Provide control for the following input types: S-video and associated audio (RCA jacks), composite video and associated audio (RCA jacks), and Computer 2 VGA input and associated 3.5 mm audio stereo jack

Storage and Operating Specifications

Storage	122°F (50°C) maximum storage temperature -40°F (-40°C) minimum storage temperature
Operation	Using standard fan speed, from 0' to 6000' (0 m to 1829 m) 41°F to 95°F (5°C to 35°C) Using high fan speed, from 6000' to 6800' (1829 m to 2073 m) 41°F to 86°F (5°C to 30°C) In Service mode, from 6800' to 9800' (2073 m to 2987 m) 41°F to 86°F (5°C to 30°C)

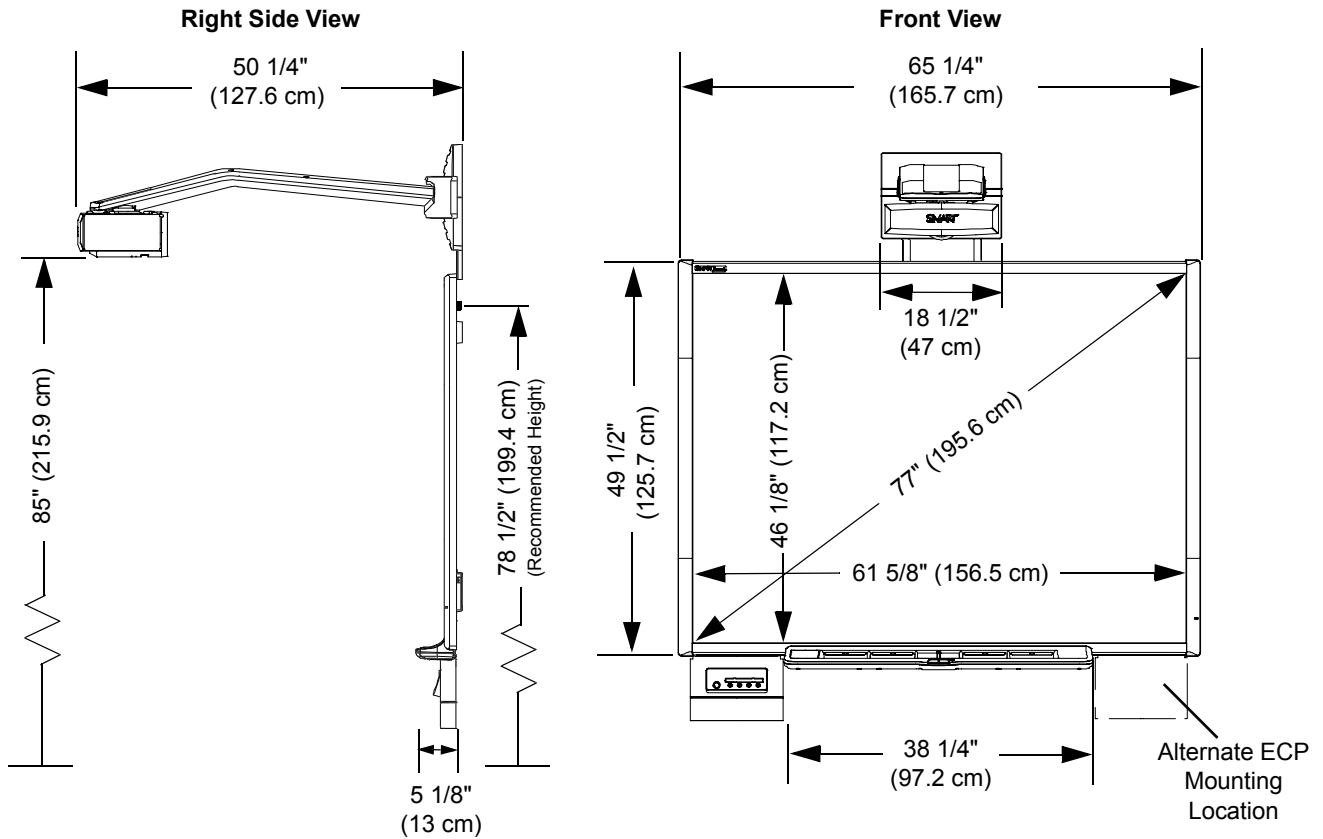
SMART Order Numbers

SB680i3	77" (195.6 cm) diagonal SMART Board 680 interactive whiteboard with a UF55 projector system
01-00260-20	Replacement projector lamp

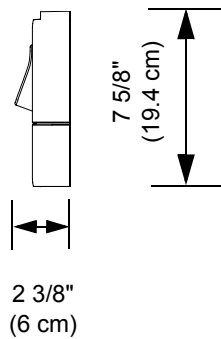
Optional Accessories

RPEN-ER	Replacement set of four pen tray pens (black, red, blue and green) and a rectangular eraser
RPEN	Replacement set of four pen tray pens (black, red, blue and green)
SBA	USB Audio system for SMART Board 600i interactive whiteboard systems

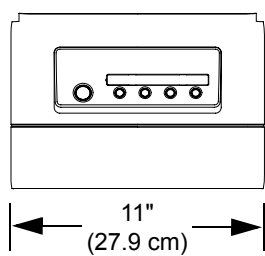
Physical Dimensions



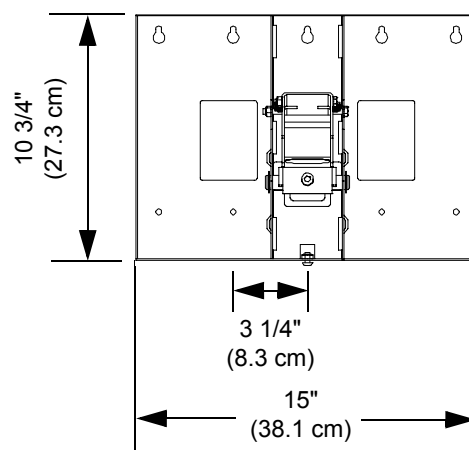
ECP Right Side View



ECP Front View



Projector Mounting Bracket



www.smarttech.com/support www.smarttech.com/contactsupport
 Support +1.403.228.5940 or Toll Free 1.866.518.6791 (U.S./Canada)

